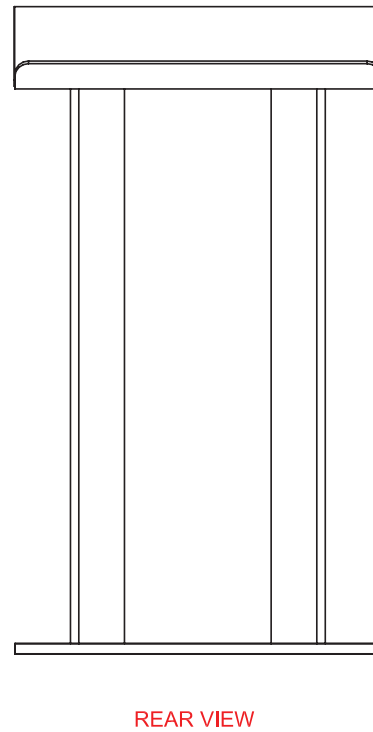
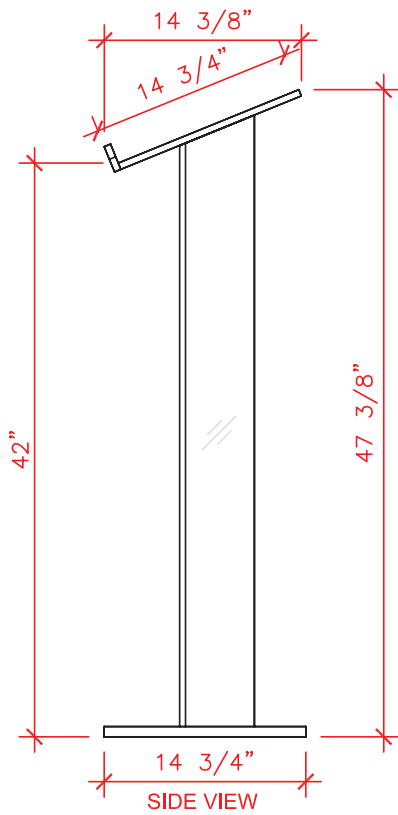
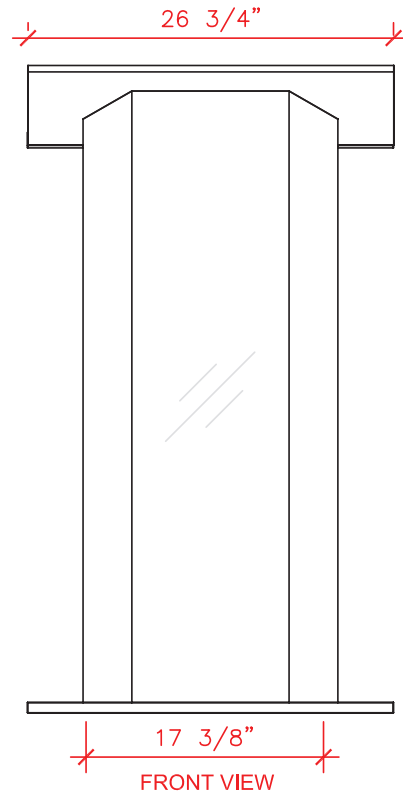
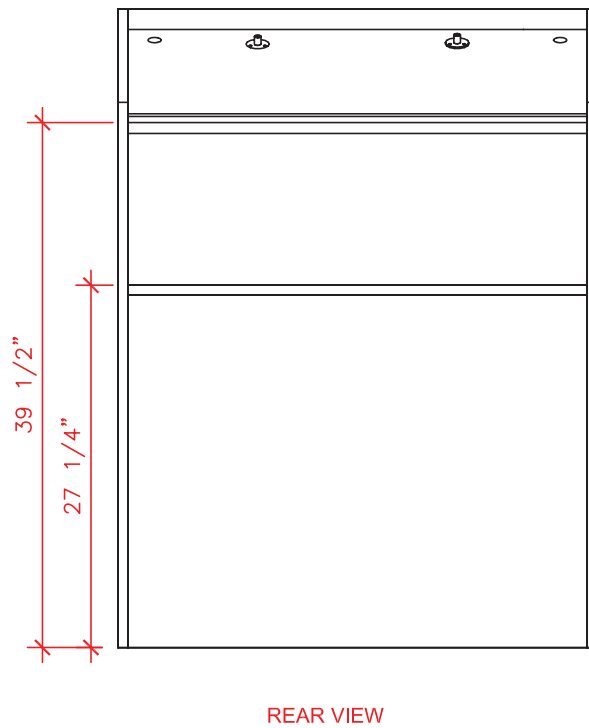
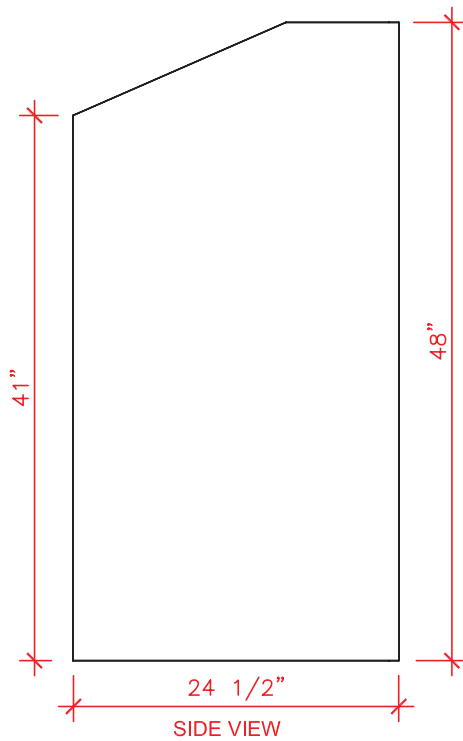
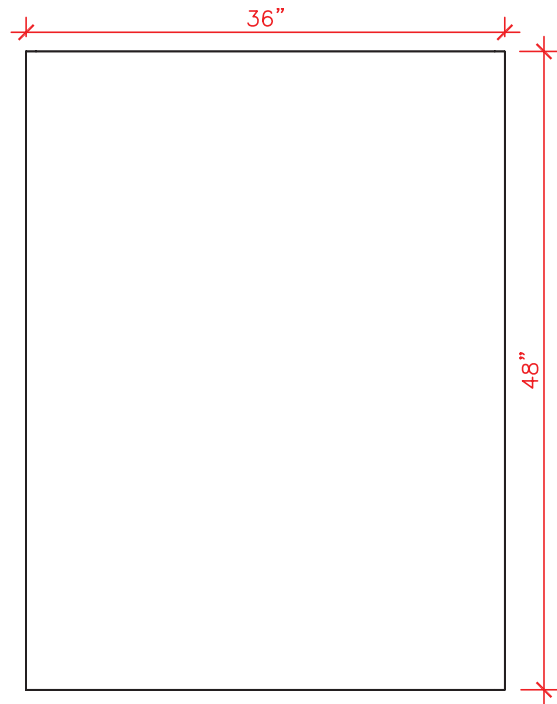
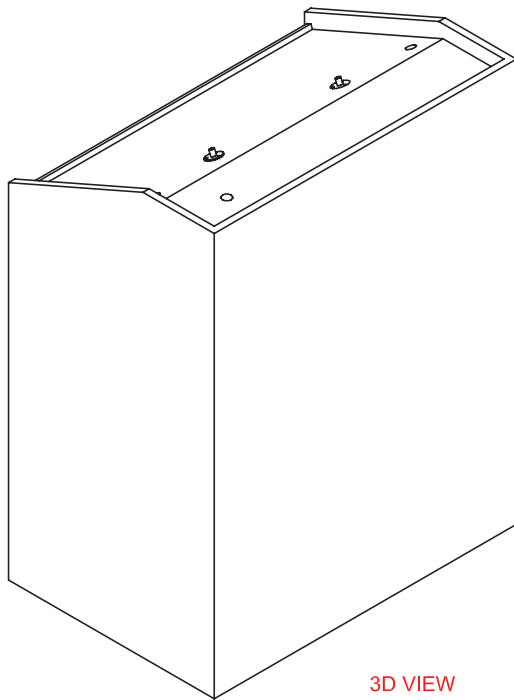


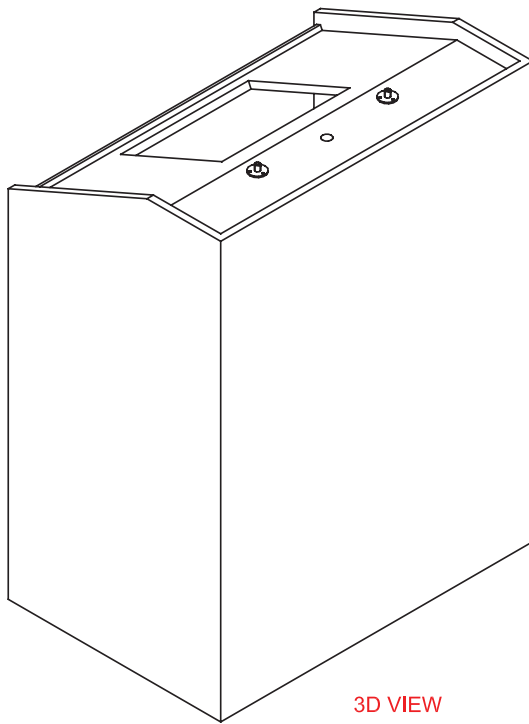
3D VIEW



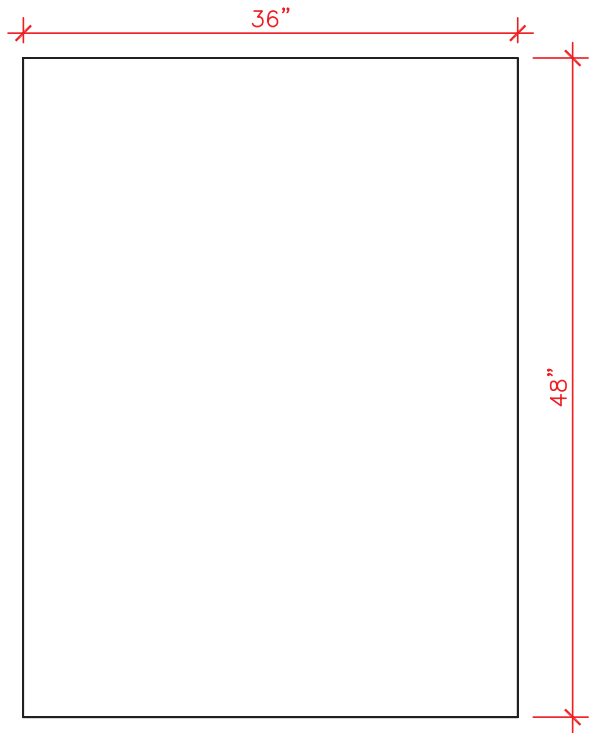
NOTICE: THE DATA IN THIS DOCUMENT INCORPORATES PROPRIETARY RIGHTS IF INPRODUCTION, INC. ANY PARTY ACCEPTING THIS DOCUMENT DOES SO IN CONFIDENCE AND AGREES IT SHALL NOT BE DUPLICATED IN WHOLE OR IN PART, NOR DISCLOSED TO OTHERS, WITHOUT THE CONSENT OF INPRODUCTION, INC.



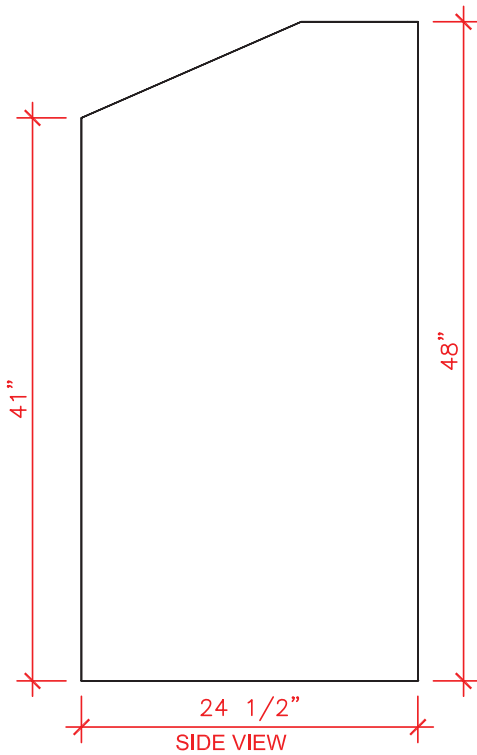
NOTICE: THE DATA IN THIS DOCUMENT INCORPORATES PROPRIETARY RIGHTS IF INPRODUCTION, INC. ANY PARTY ACCEPTING THIS DOCUMENT DOES SO IN CONFIDENCE AND AGREES IT SHALL NOT BE DUPLICATED IN WHOLE OR IN PART, NOR DISCLOSED TO OTHERS, WITHOUT THE CONSENT OF INPRODUCTION, INC.



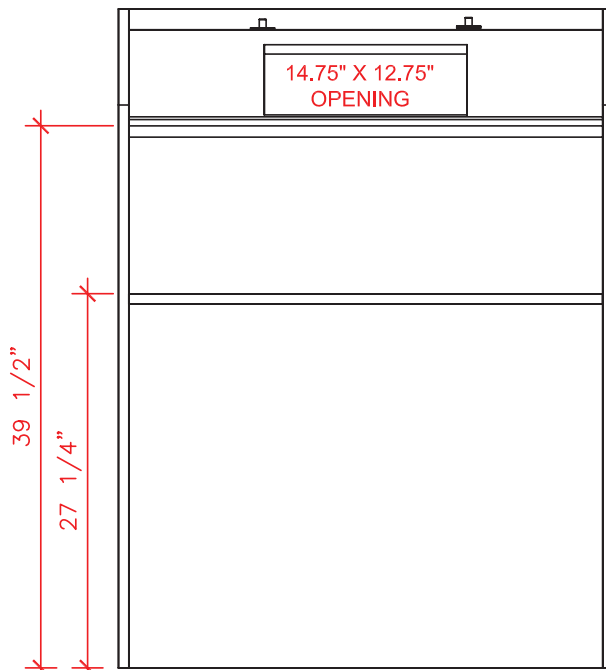
3D VIEW



FRONT VIEW

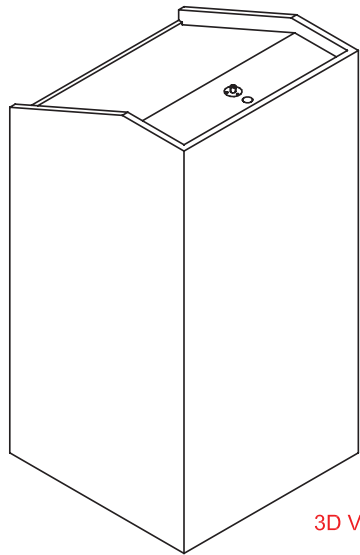


SIDE VIEW

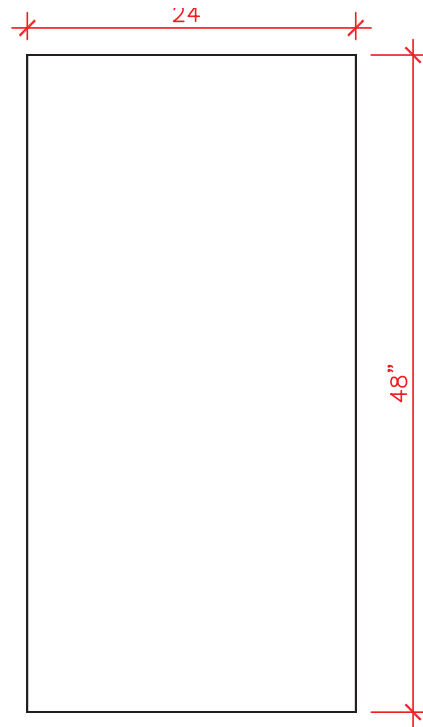


REAR VIEW

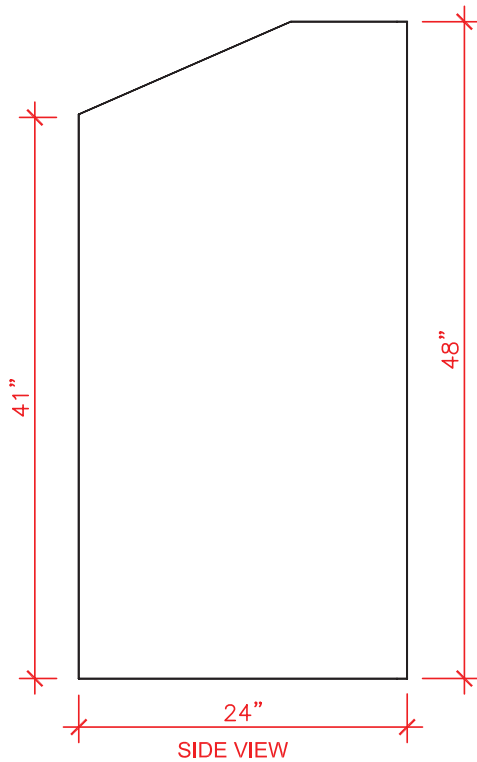
NOTICE: THE DATA IN THIS DOCUMENT INCORPORATES PROPRIETARY RIGHTS IF INPRODUCTION, INC. ANY PARTY ACCEPTING THIS DOCUMENT DOES SO IN CONFIDENCE AND AGREES IT SHALL NOT BE DUPLICATED IN WHOLE OR IN PART, NOR DISCLOSED TO OTHERS, WITHOUT THE CONSENT OF INPRODUCTION, INC.



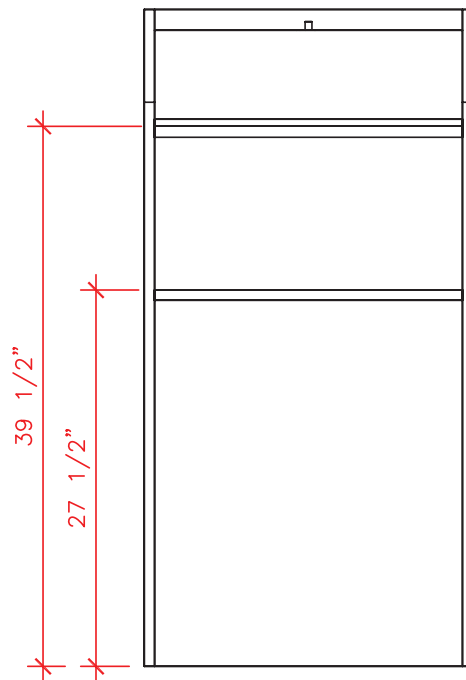
3D VIEW



FRONT VIEW

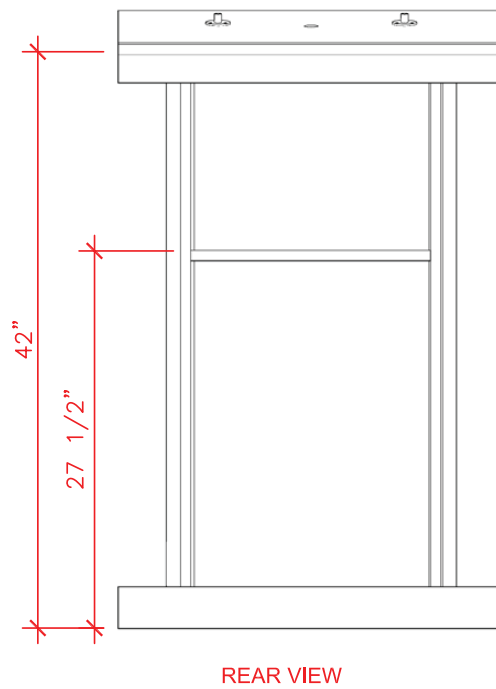
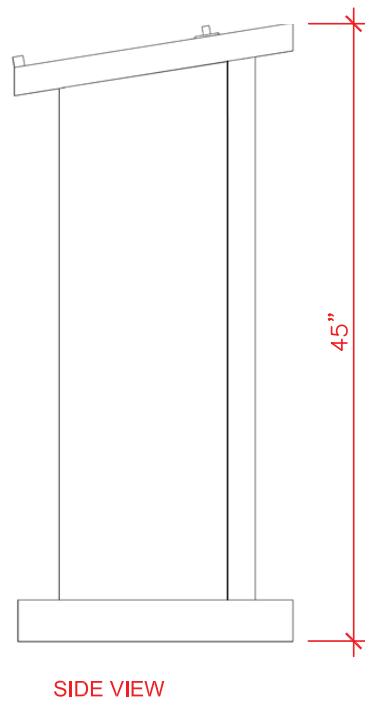
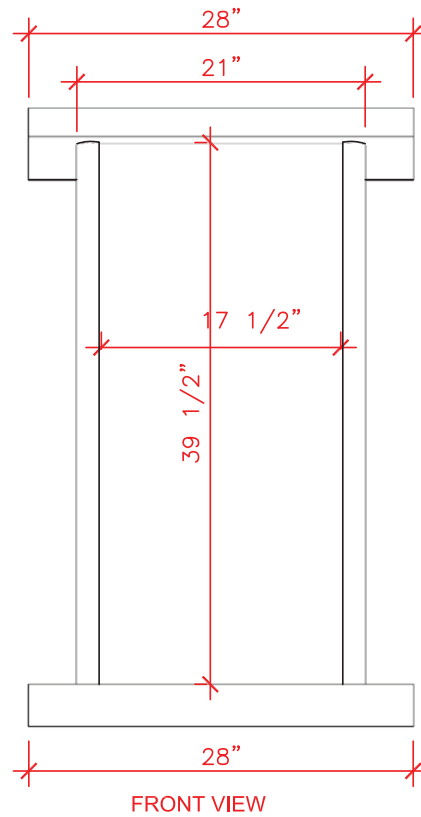
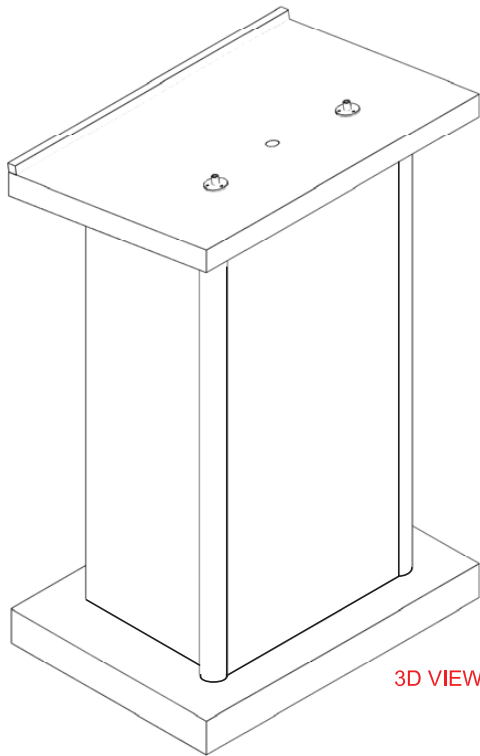


SIDE VIEW

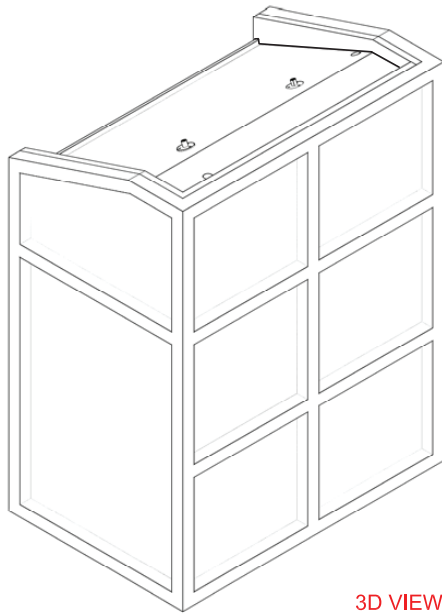


REAR VIEW

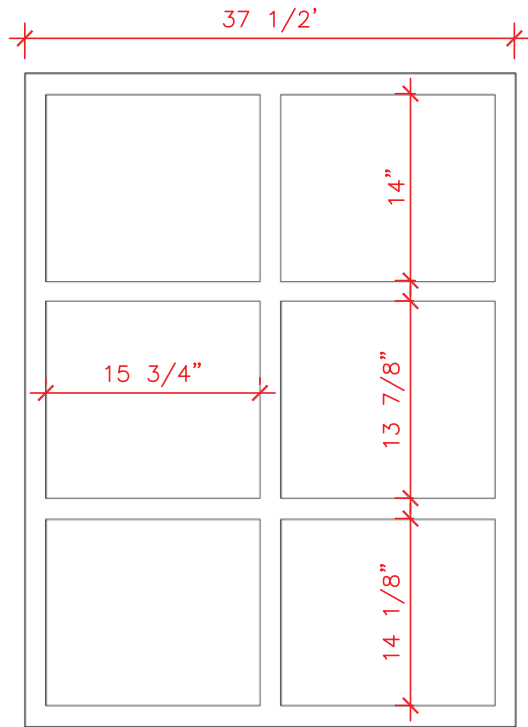
NOTICE: THE DATA IN THIS DOCUMENT INCORPORATES PROPRIETARY RIGHTS IF INPRODUCTION, INC. ANY PARTY ACCEPTING THIS DOCUMENT DOES SO IN CONFIDENCE AND AGREES IT SHALL NOT BE DUPLICATED IN WHOLE OR IN PART, NOR DISCLOSED TO OTHERS, WITHOUT THE CONSENT OF INPRODUCTION, INC.



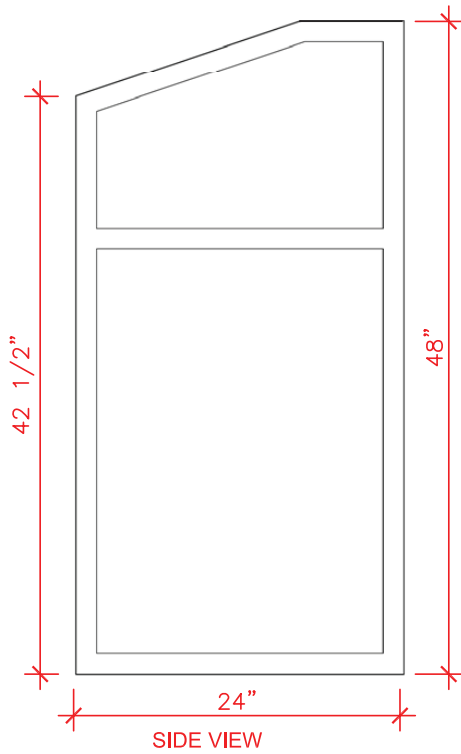
NOTICE: THE DATA IN THIS DOCUMENT INCORPORATES PROPRIETARY RIGHTS IF INPRODUCTION, INC. ANY PARTY ACCEPTING THIS DOCUMENT DOES SO IN CONFIDENCE AND AGREES IT SHALL NOT BE DUPLICATED IN WHOLE OR IN PART, NOR DISCLOSED TO OTHERS, WITHOUT THE CONSENT OF INPRODUCTION, INC.



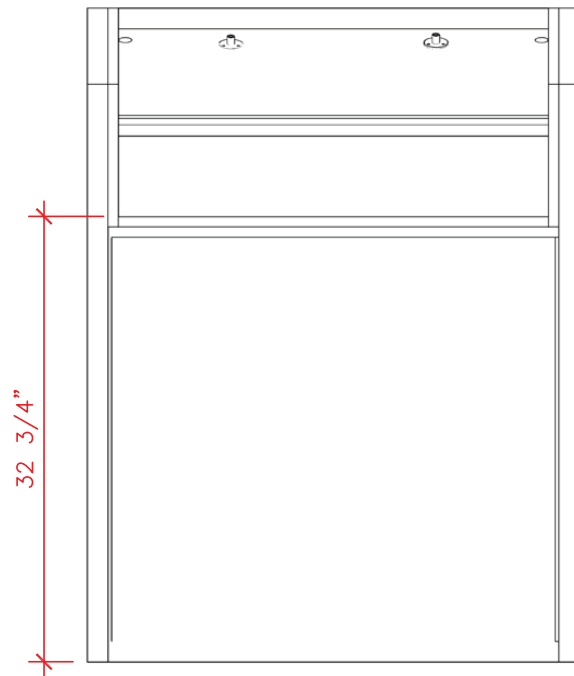
3D VIEW



FRONT VIEW



SIDE VIEW

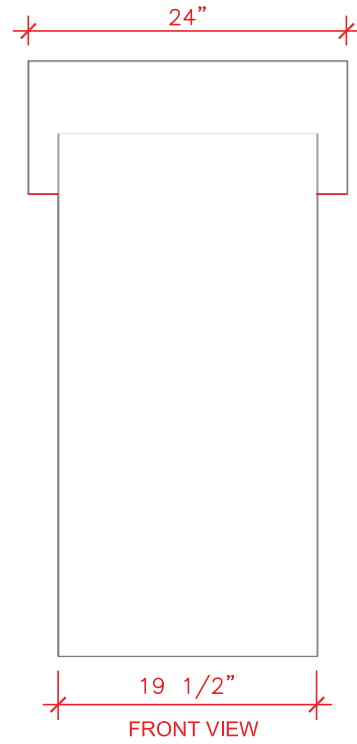


REAR VIEW

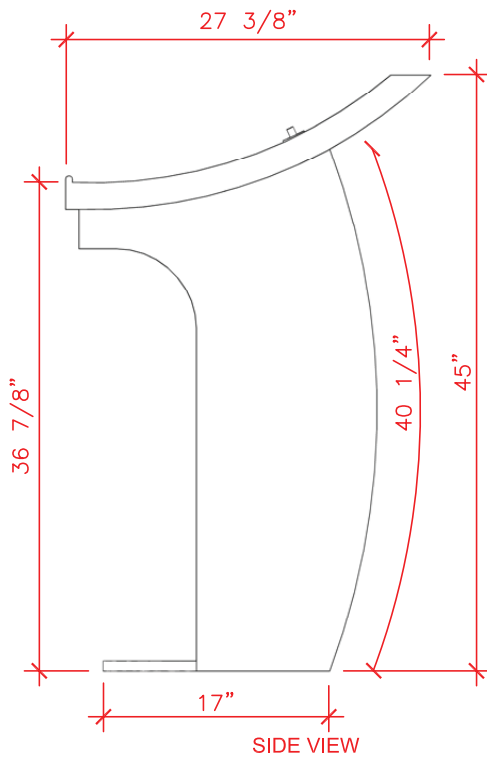
NOTICE: THE DATA IN THIS DOCUMENT INCORPORATES PROPRIETARY RIGHTS IF INPRODUCTION, INC. ANY PARTY ACCEPTING THIS DOCUMENT DOES SO IN CONFIDENCE AND AGREES IT SHALL NOT BE DUPLICATED IN WHOLE OR IN PART, NOR DISCLOSED TO OTHERS, WITHOUT THE CONSENT OF INPRODUCTION, INC.



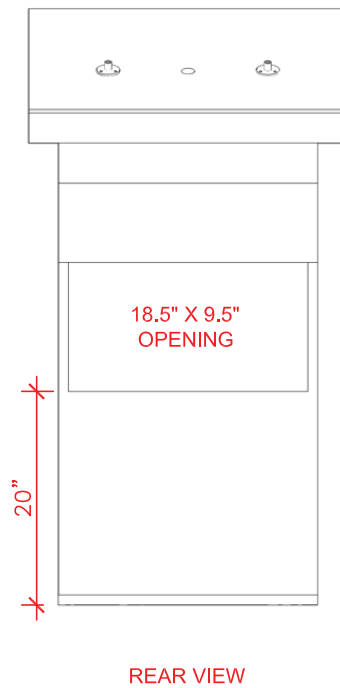
3D VIEW



FRONT VIEW

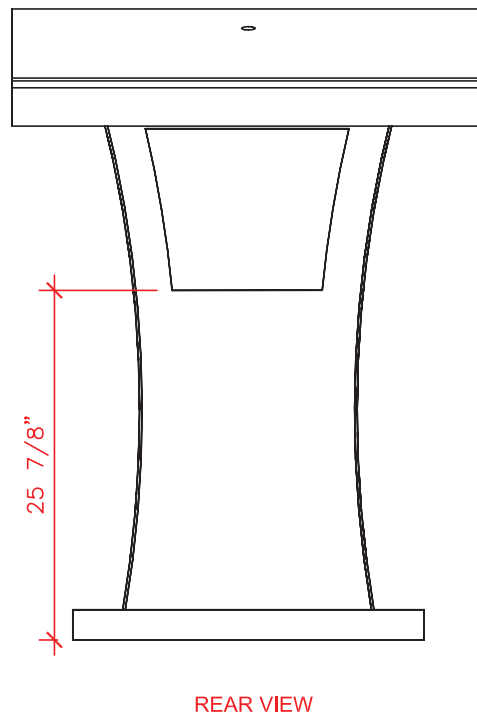
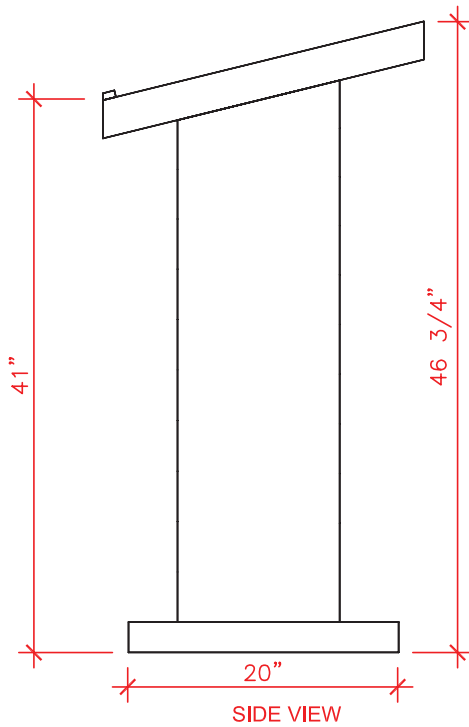
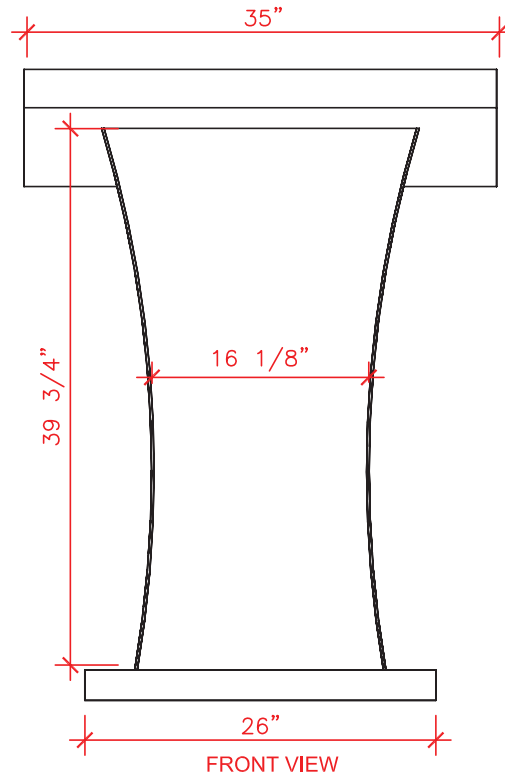
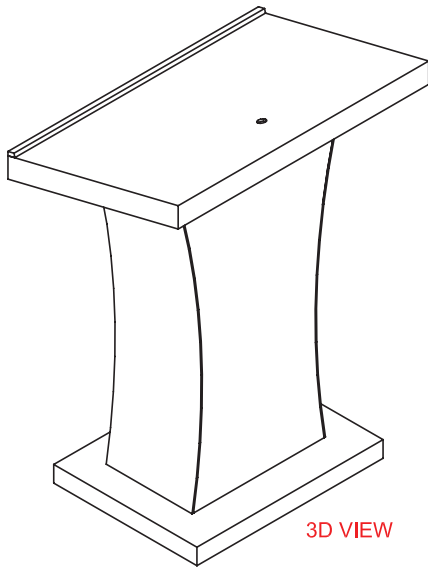


SIDE VIEW



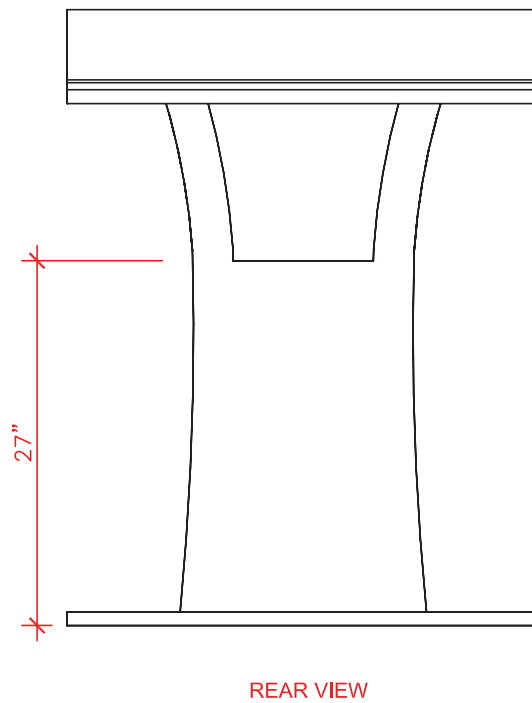
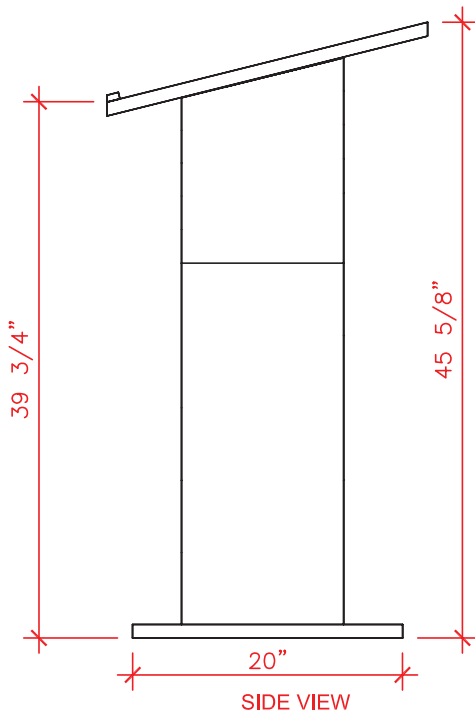
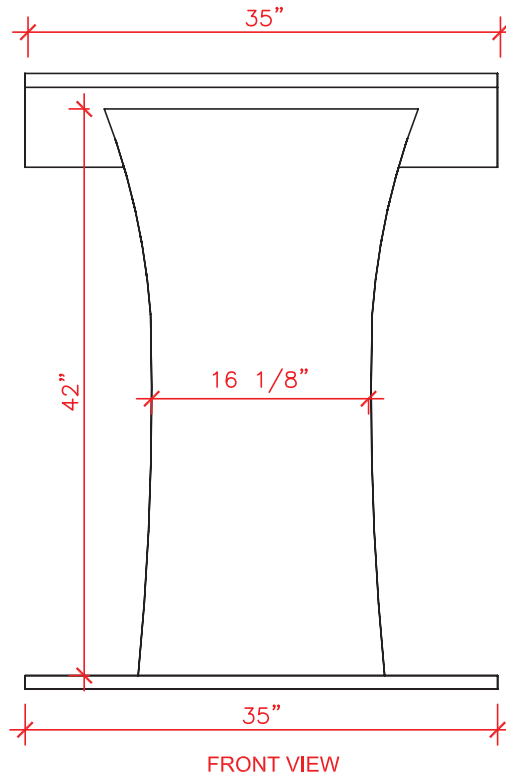
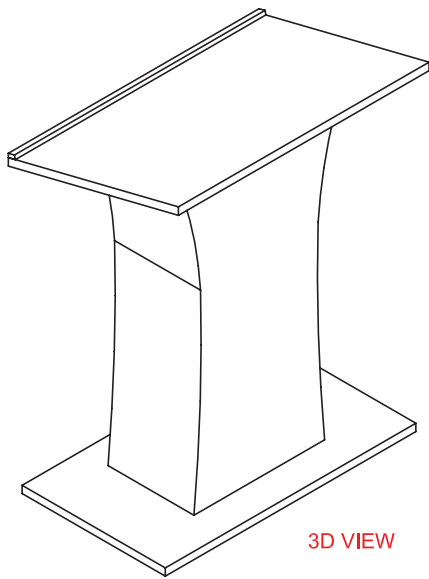
REAR VIEW

NOTICE: THE DATA IN THIS DOCUMENT INCORPORATES PROPRIETARY RIGHTS IF INPRODUCTION, INC. ANY PARTY ACCEPTING THIS DOCUMENT DOES SO IN CONFIDENCE AND AGREES IT SHALL NOT BE DUPLICATED IN WHOLE OR IN PART, NOR DISCLOSED TO OTHERS, WITHOUT THE CONSENT OF INPRODUCTION, INC.

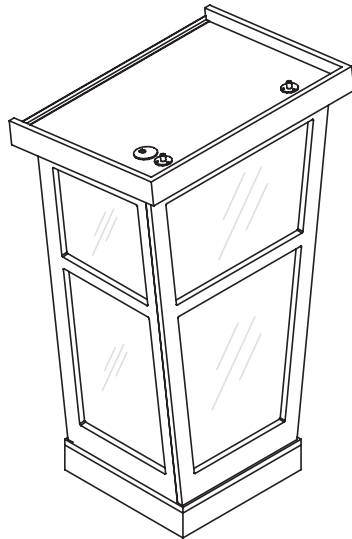


NOTICE: THE DATA IN THIS DOCUMENT INCORPORATES PROPRIETARY RIGHTS IF INPRODUCTION, INC. ANY PARTY ACCEPTING THIS DOCUMENT DOES SO IN CONFIDENCE AND AGREES IT SHALL NOT BE DUPLICATED IN WHOLE OR IN PART, NOR DISCLOSED TO OTHERS, WITHOUT THE CONSENT OF INPRODUCTION, INC.

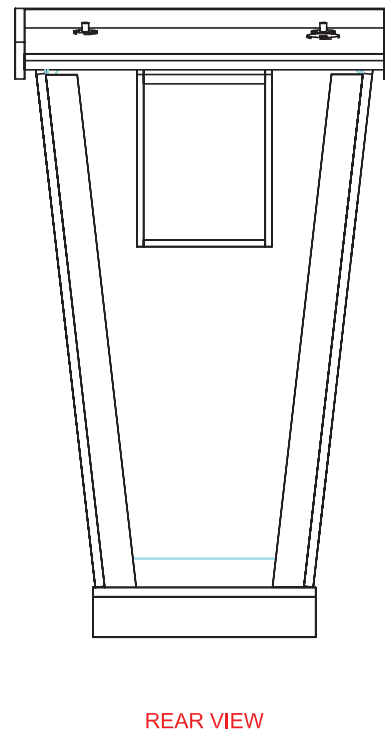
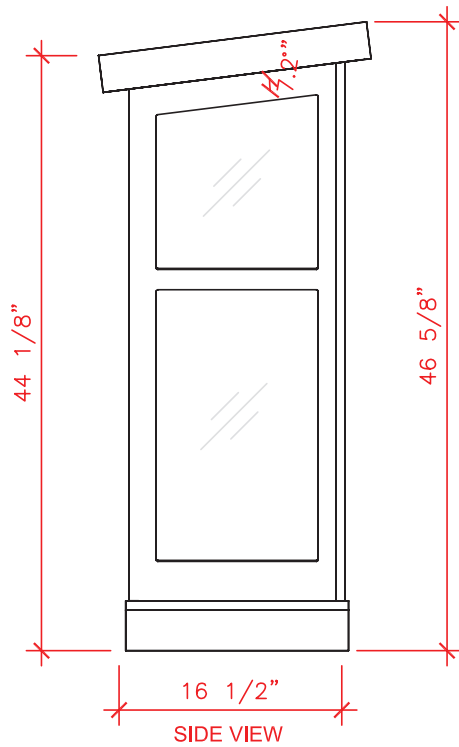
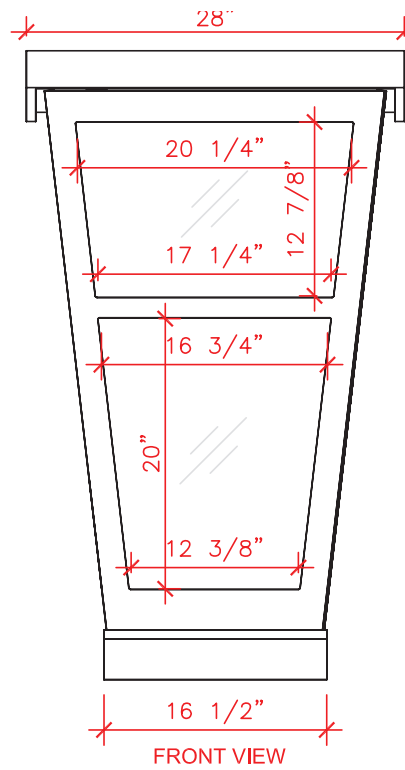




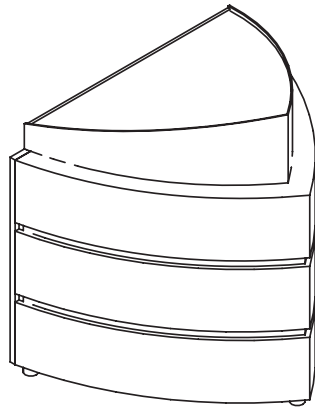
NOTICE: THE DATA IN THIS DOCUMENT INCORPORATES PROPRIETARY RIGHTS IF INPRODUCTION, INC. ANY PARTY ACCEPTING THIS DOCUMENT DOES SO IN CONFIDENCE AND AGREES IT SHALL NOT BE DUPLICATED IN WHOLE OR IN PART, NOR DISCLOSED TO OTHERS, WITHOUT THE CONSENT OF INPRODUCTION, INC.



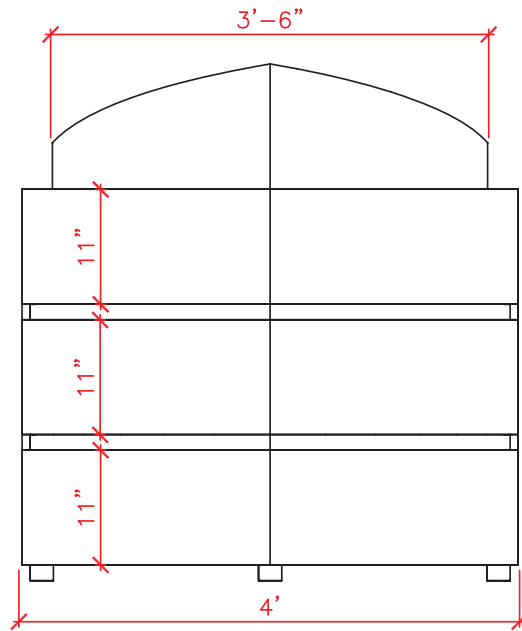
3D VIEW



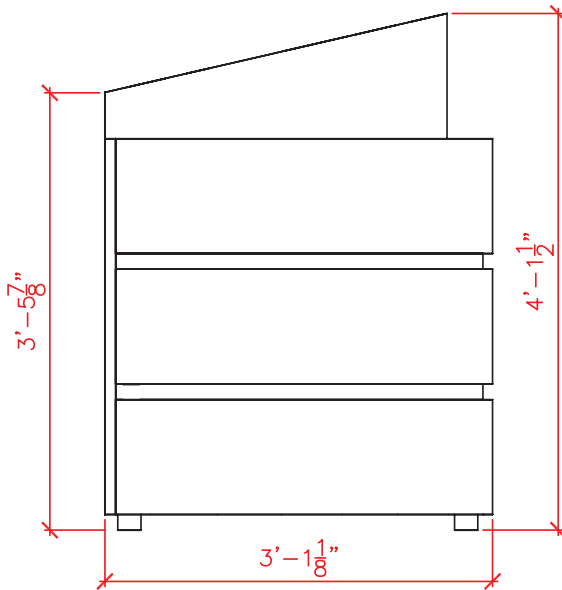
NOTICE: THE DATA IN THIS DOCUMENT INCORPORATES PROPRIETARY RIGHTS IF INPRODUCTION, INC. ANY PARTY ACCEPTING THIS DOCUMENT DOES SO IN CONFIDENCE AND AGREES IT SHALL NOT BE DUPLICATED IN WHOLE OR IN PART, NOR DISCLOSED TO OTHERS, WITHOUT THE CONSENT OF INPRODUCTION, INC.



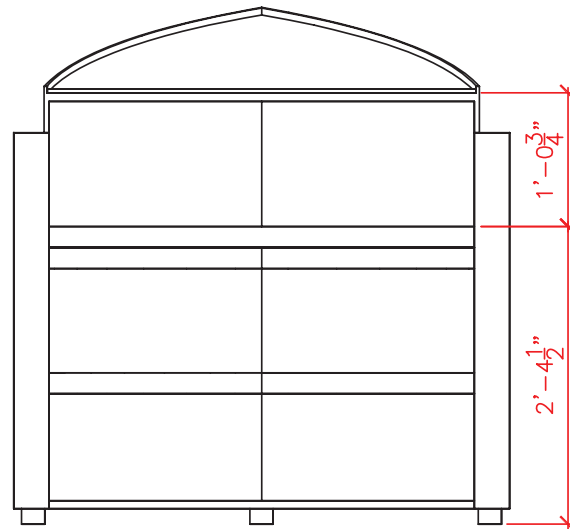
3D VIEW



FRONT VIEW

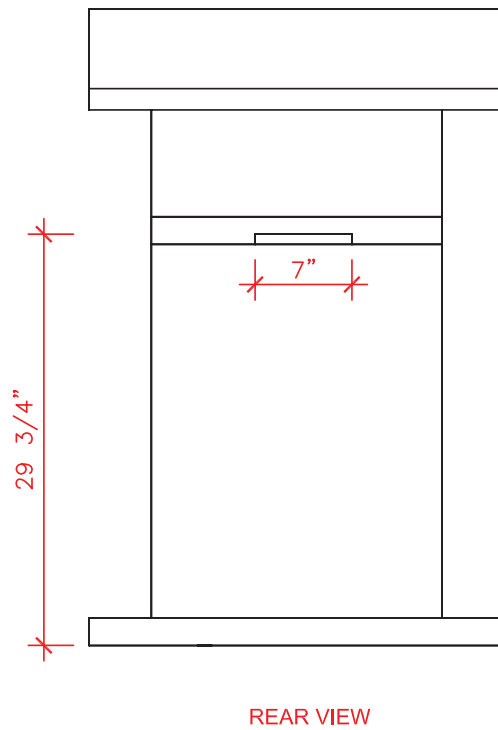
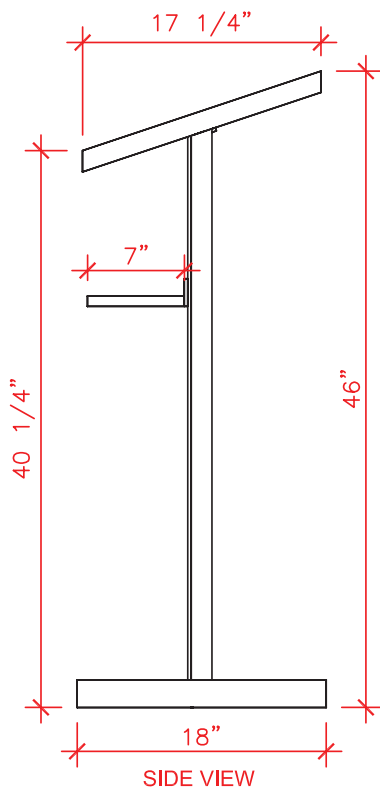
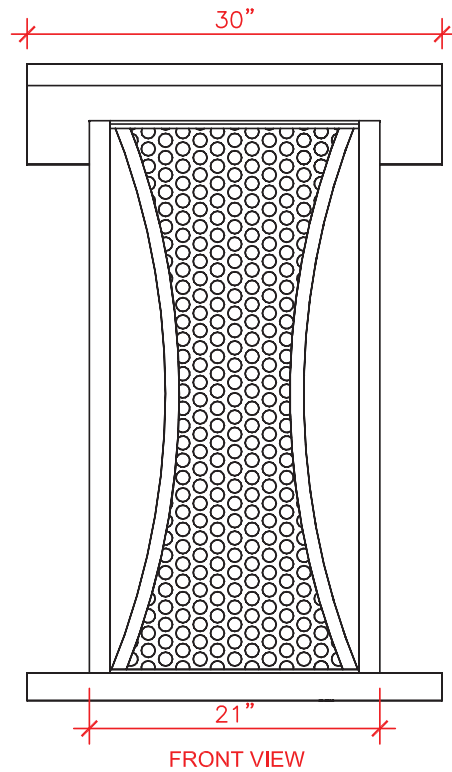
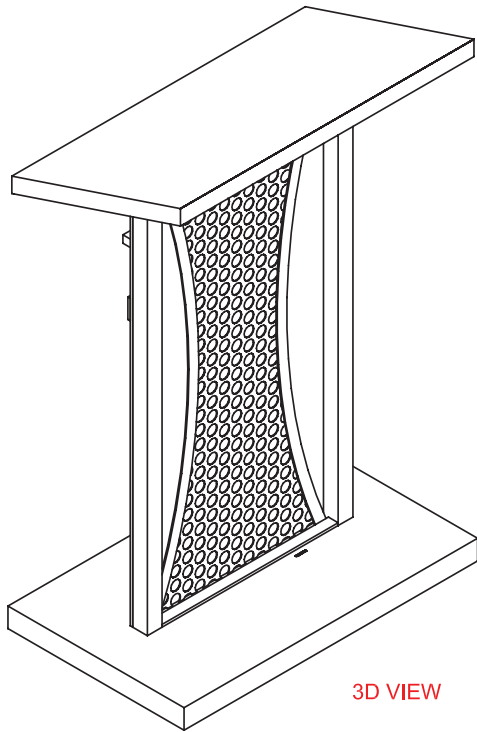


SIDE VIEW

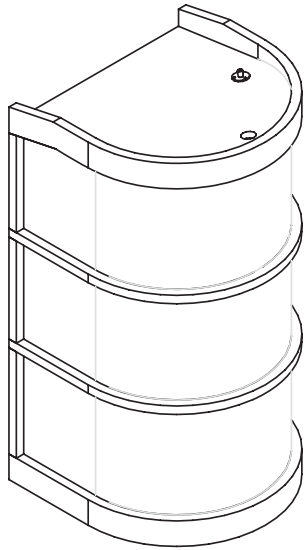


REAR VIEW

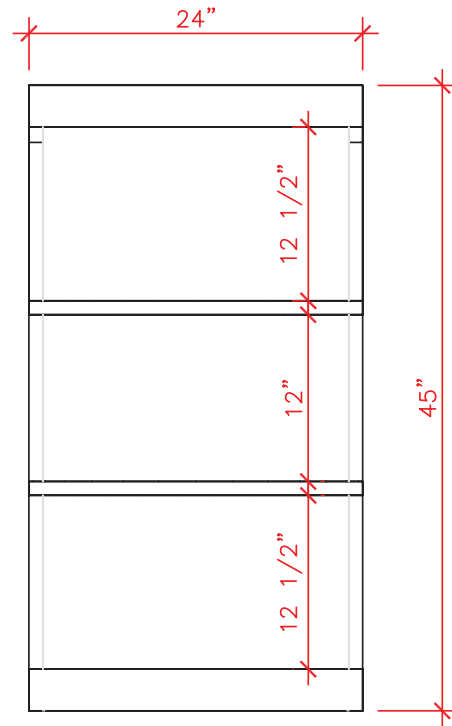
NOTICE: THE DATA IN THIS DOCUMENT INCORPORATES PROPRIETARY RIGHTS IF INPRODUCTION, INC. ANY PARTY ACCEPTING THIS DOCUMENT DOES SO IN CONFIDENCE AND AGREES IT SHALL NOT BE DUPLICATED IN WHOLE OR IN PART, NOR DISCLOSED TO OTHERS, WITHOUT THE CONSENT OF INPRODUCTION, INC.



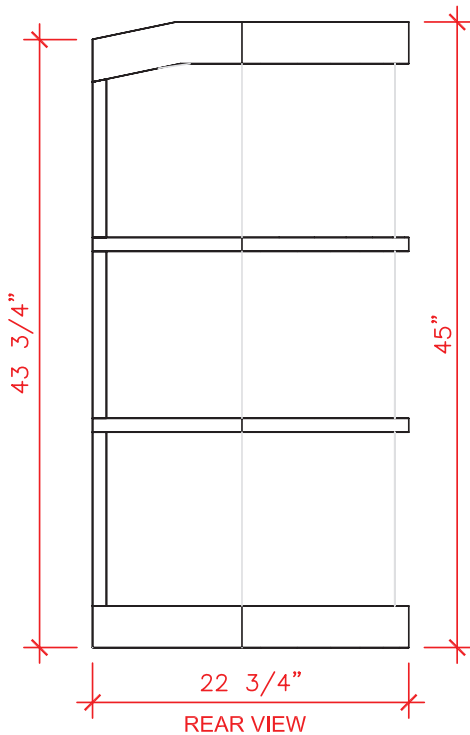
NOTICE: THE DATA IN THIS DOCUMENT INCORPORATES PROPRIETARY RIGHTS IF INPRODUCTION, INC. ANY PARTY ACCEPTING THIS DOCUMENT DOES SO IN CONFIDENCE AND AGREES IT SHALL NOT BE DUPLICATED IN WHOLE OR IN PART, NOR DISCLOSED TO OTHERS, WITHOUT THE CONSENT OF INPRODUCTION, INC.



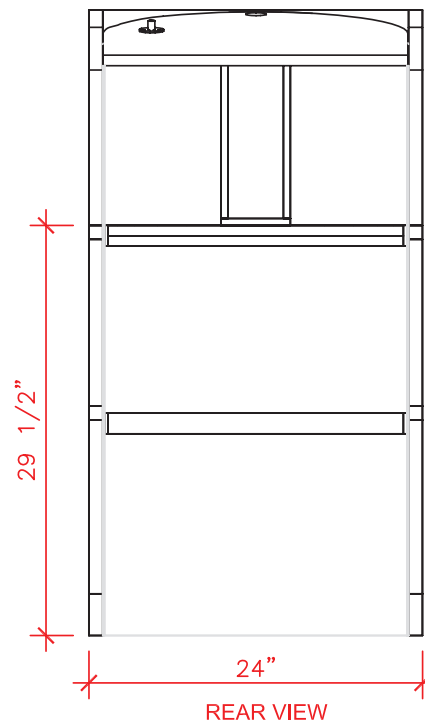
3D VIEW



FRONT VIEW

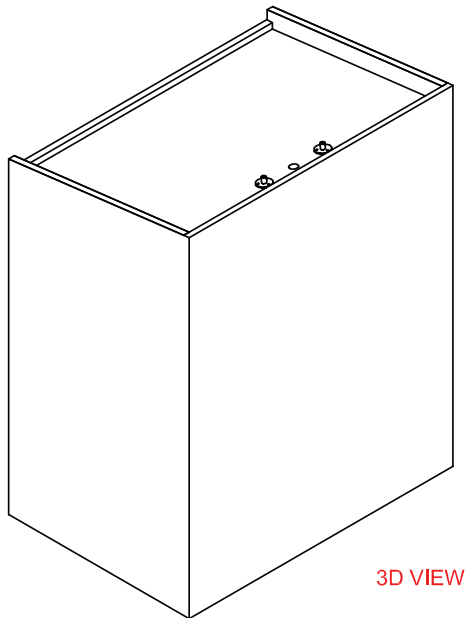


REAR VIEW

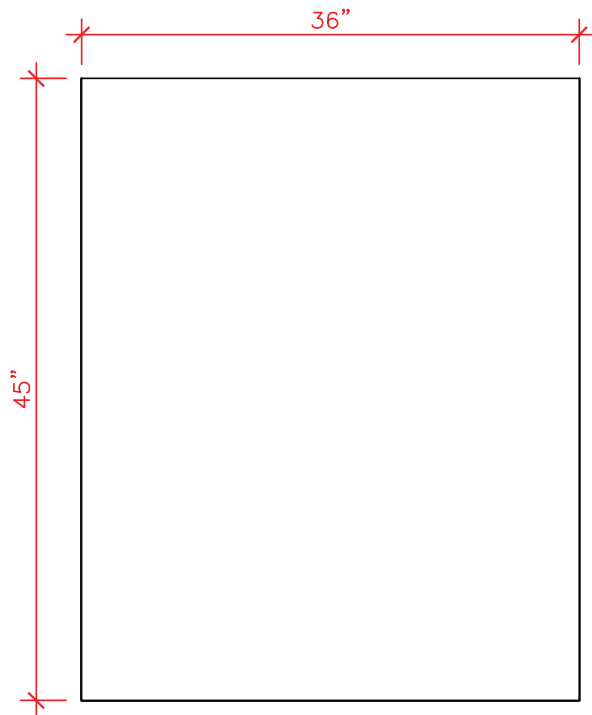


REAR VIEW

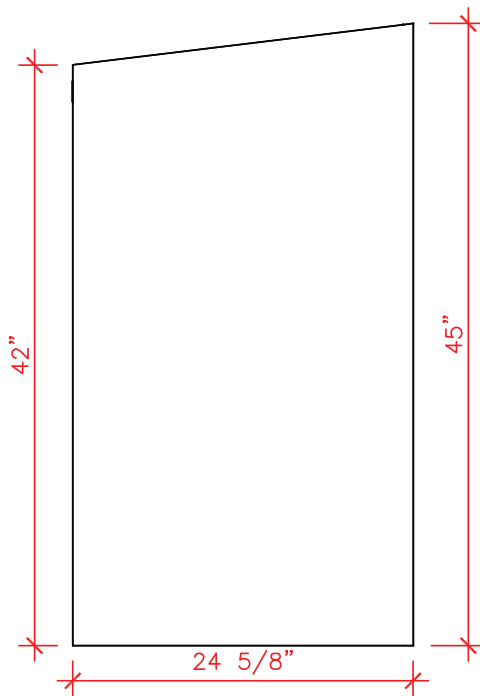
NOTICE: THE DATA IN THIS DOCUMENT INCORPORATES PROPRIETARY RIGHTS IF INPRODUCTION, INC. ANY PARTY ACCEPTING THIS DOCUMENT DOES SO IN CONFIDENCE AND AGREES IT SHALL NOT BE DUPLICATED IN WHOLE OR IN PART, NOR DISCLOSED TO OTHERS, WITHOUT THE CONSENT OF INPRODUCTION, INC.



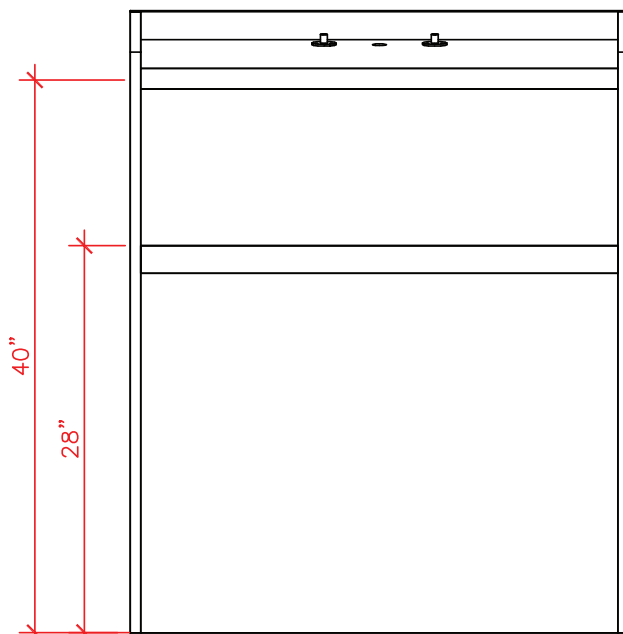
3D VIEW



FRONT VIEW

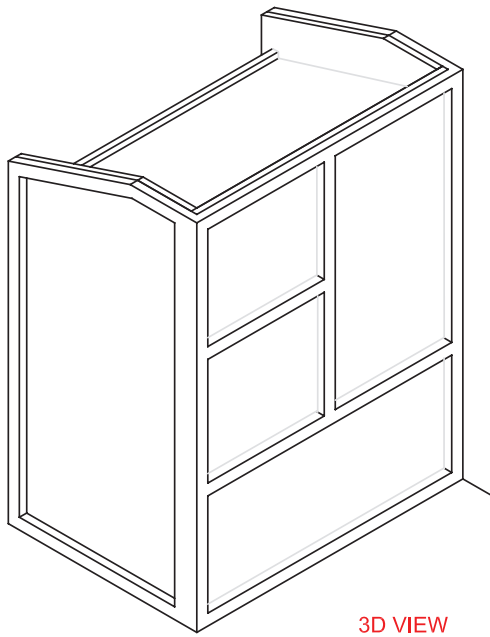


SIDE VIEW

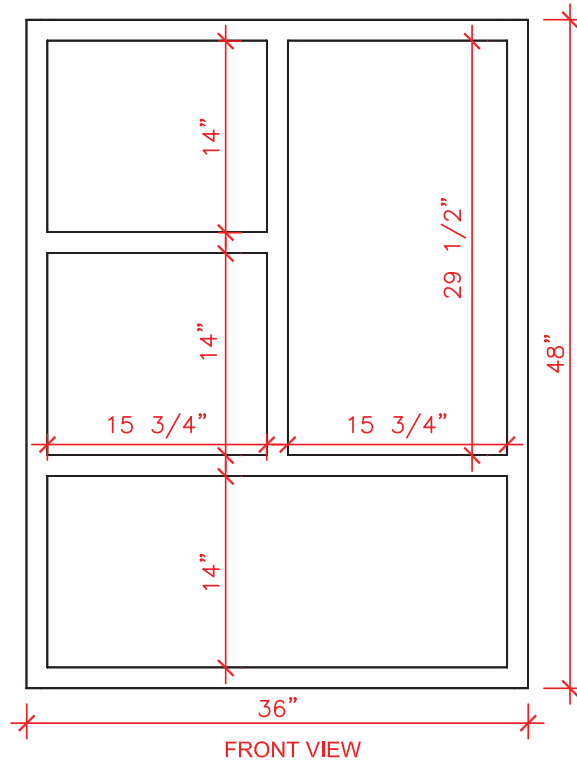


REAR VIEW

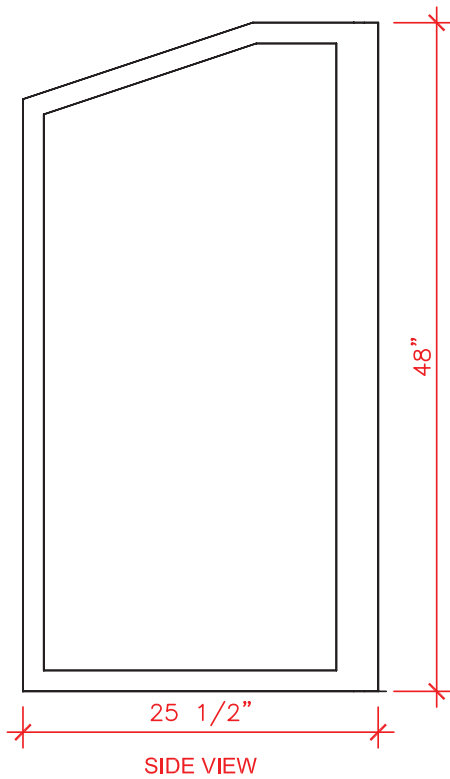
NOTICE: THE DATA IN THIS DOCUMENT INCORPORATES PROPRIETARY RIGHTS IF INPRODUCTION, INC. ANY PARTY ACCEPTING THIS DOCUMENT DOES SO IN CONFIDENCE AND AGREES IT SHALL NOT BE DUPLICATED IN WHOLE OR IN PART, NOR DISCLOSED TO OTHERS, WITHOUT THE CONSENT OF INPRODUCTION, INC.



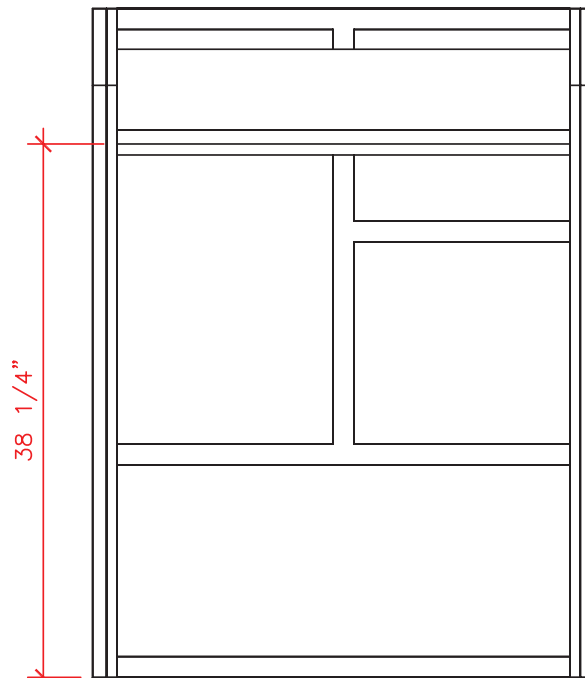
3D VIEW



FRONT VIEW

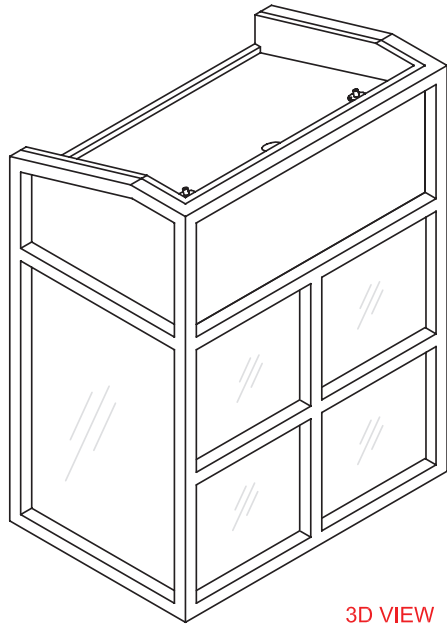


SIDE VIEW

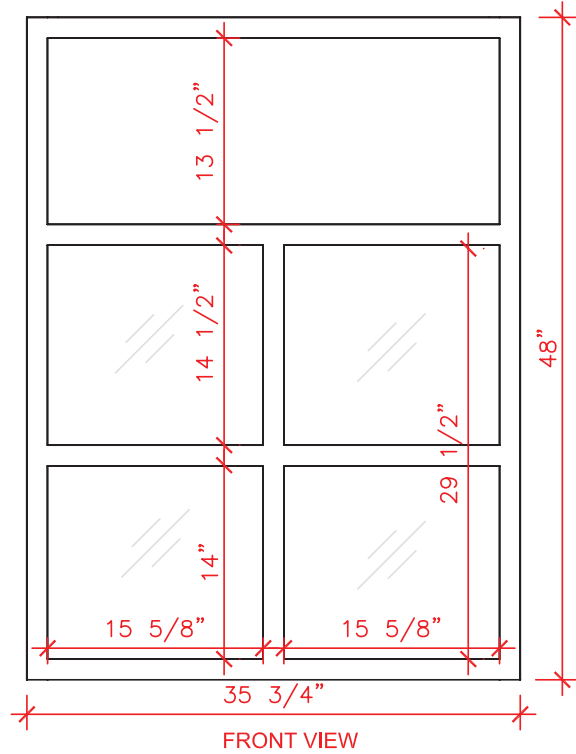


REAR VIEW

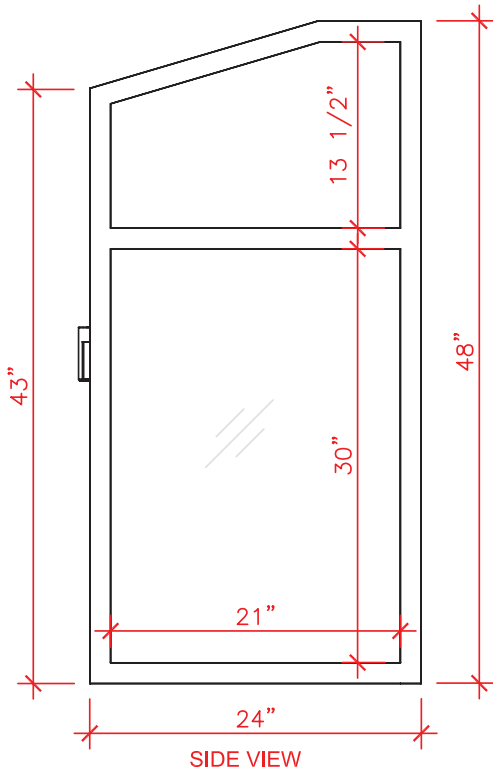
NOTICE: THE DATA IN THIS DOCUMENT INCORPORATES PROPRIETARY RIGHTS IF INPRODUCTION, INC. ANY PARTY ACCEPTING THIS DOCUMENT DOES SO IN CONFIDENCE AND AGREES IT SHALL NOT BE DUPLICATED IN WHOLE OR IN PART, NOR DISCLOSED TO OTHERS, WITHOUT THE CONSENT OF INPRODUCTION, INC.



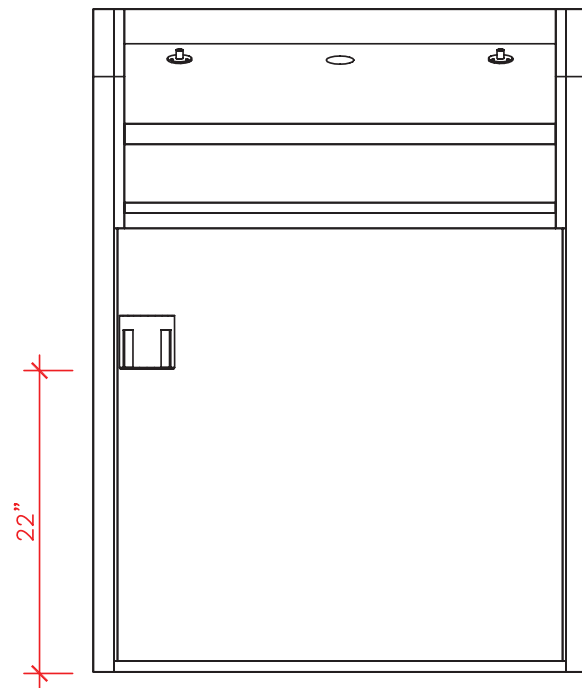
3D VIEW



FRONT VIEW



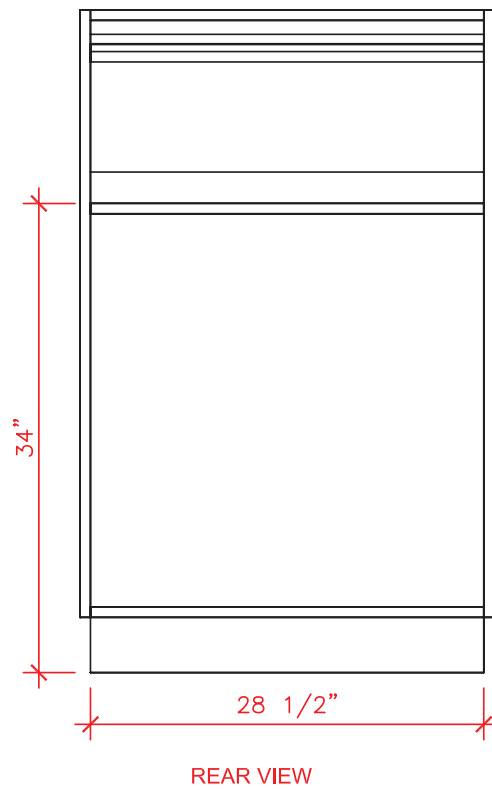
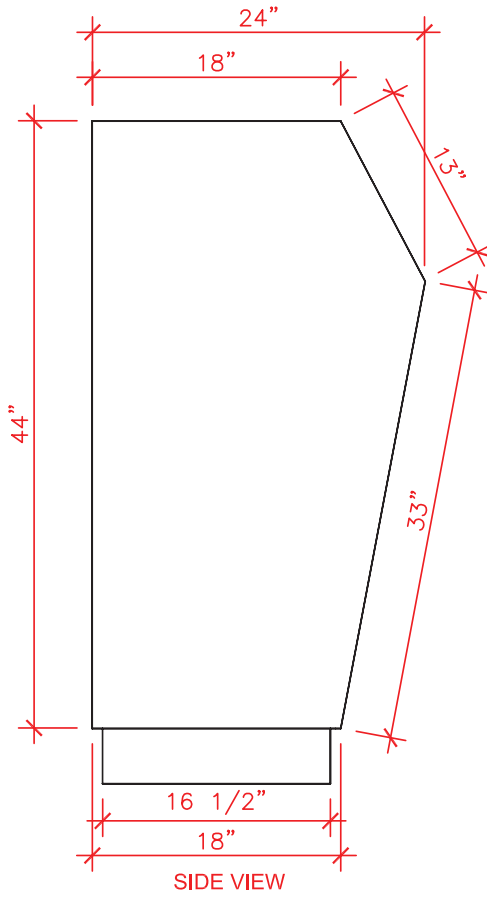
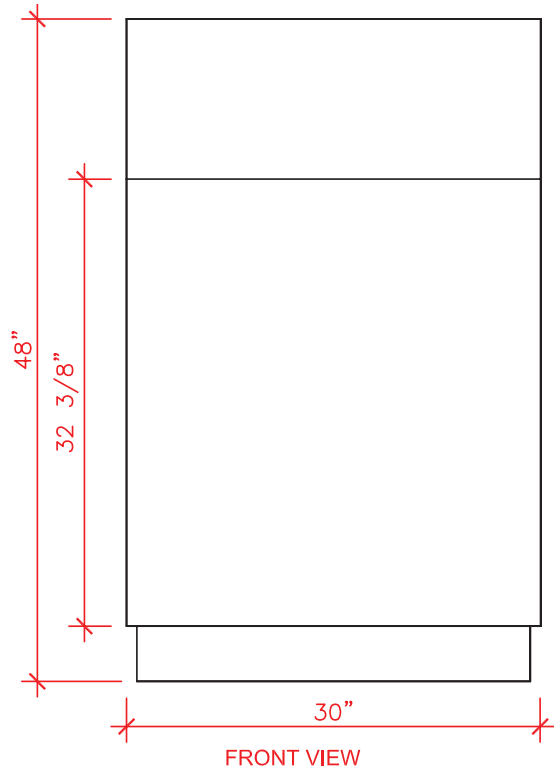
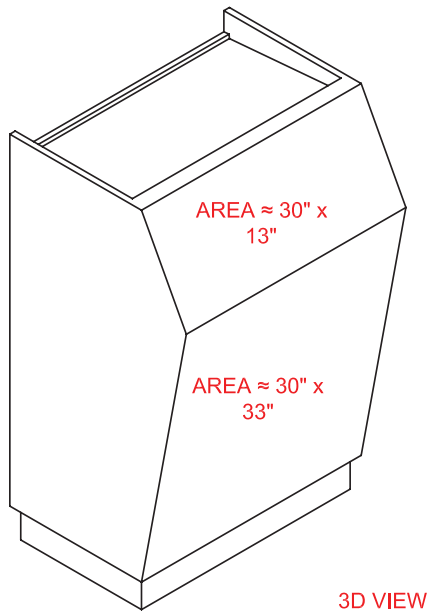
SIDE VIEW



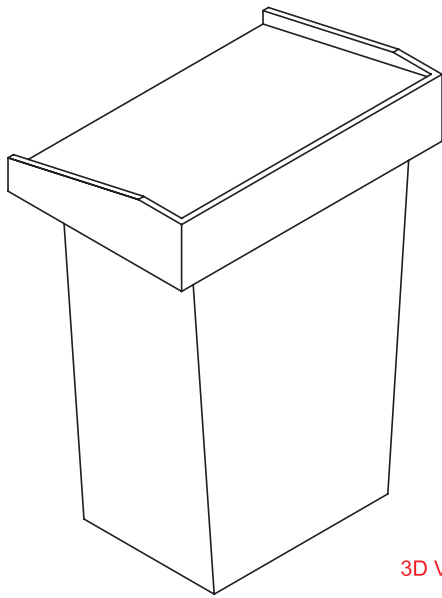
REAR VIEW

NOTICE: THE DATA IN THIS DOCUMENT INCORPORATES PROPRIETARY RIGHTS IF INPRODUCTION, INC. ANY PARTY ACCEPTING THIS DOCUMENT DOES SO IN CONFIDENCE AND AGREES IT SHALL NOT BE DUPLICATED IN WHOLE OR IN PART, NOR DISCLOSED TO OTHERS, WITHOUT THE CONSENT OF INPRODUCTION, INC.

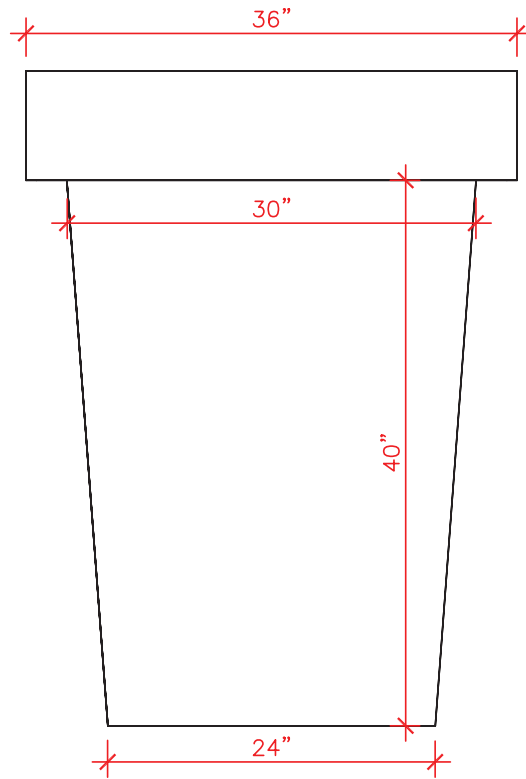




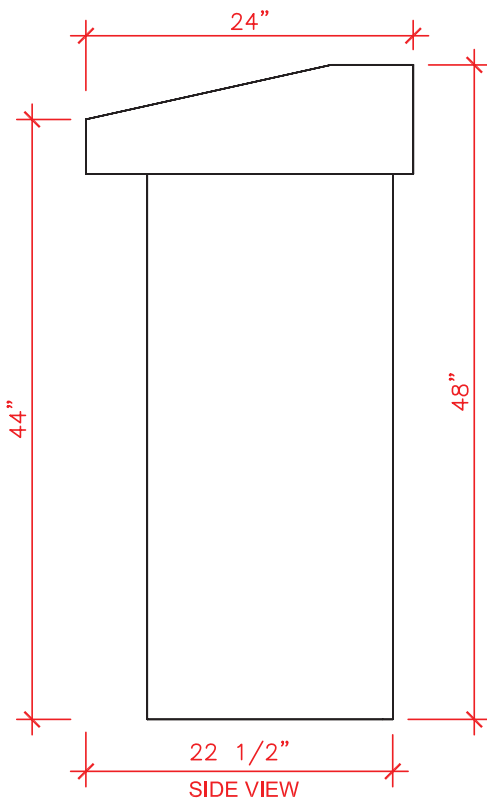
NOTICE: THE DATA IN THIS DOCUMENT INCORPORATES PROPRIETARY RIGHTS IF INPRODUCTION, INC. ANY PARTY ACCEPTING THIS DOCUMENT DOES SO IN CONFIDENCE AND AGREES IT SHALL NOT BE DUPLICATED IN WHOLE OR IN PART, NOR DISCLOSED TO OTHERS, WITHOUT THE CONSENT OF INPRODUCTION, INC.



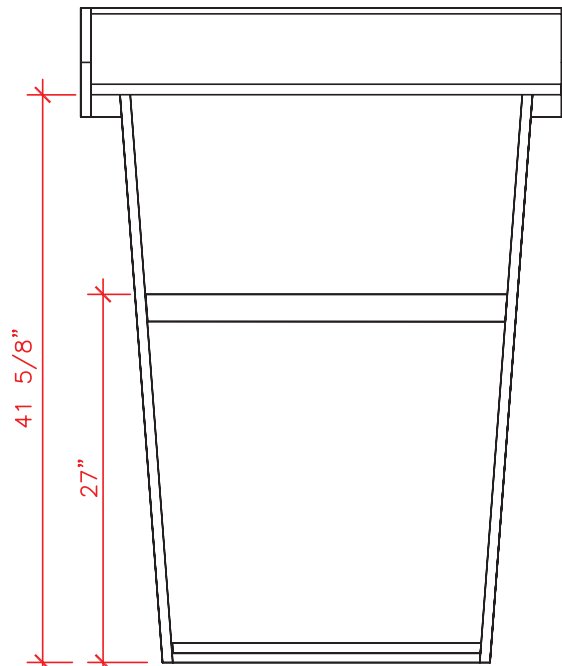
3D VIEW



FRONT VIEW

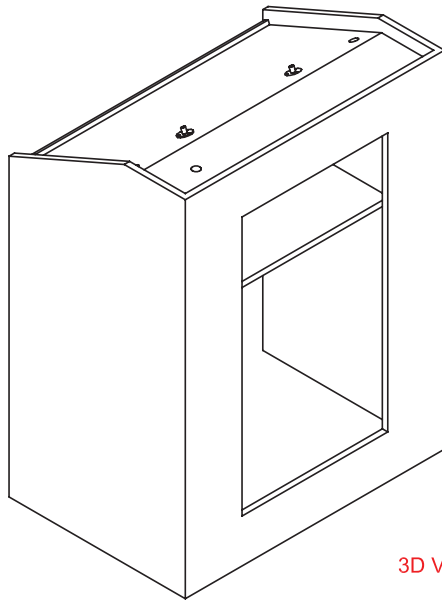


SIDE VIEW

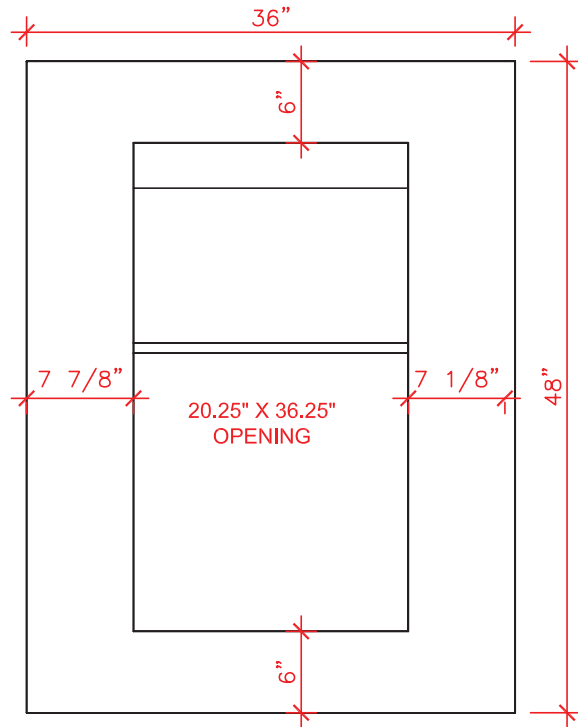


REAR VIEW

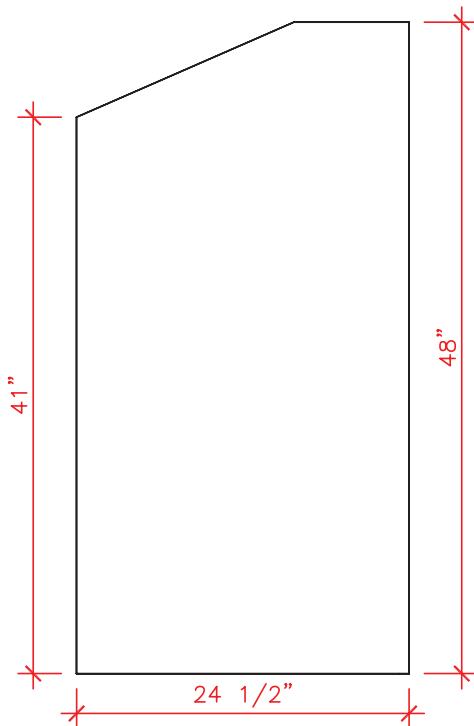
NOTICE: THE DATA IN THIS DOCUMENT INCORPORATES PROPRIETARY RIGHTS IF INPRODUCTION, INC. ANY PARTY ACCEPTING THIS DOCUMENT DOES SO IN CONFIDENCE AND AGREES IT SHALL NOT BE DUPLICATED IN WHOLE OR IN PART, NOR DISCLOSED TO OTHERS, WITHOUT THE CONSENT OF INPRODUCTION, INC.



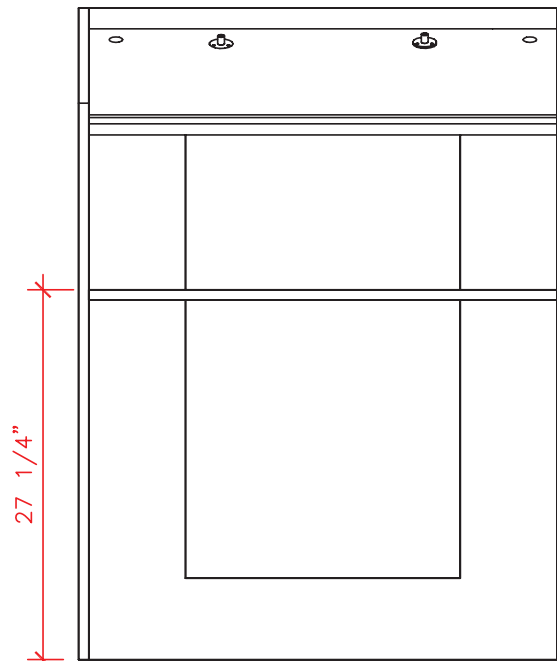
3D VIEW



FRONT VIEW

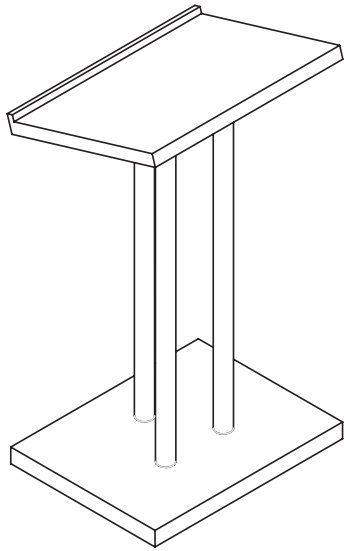


SIDE VIEW

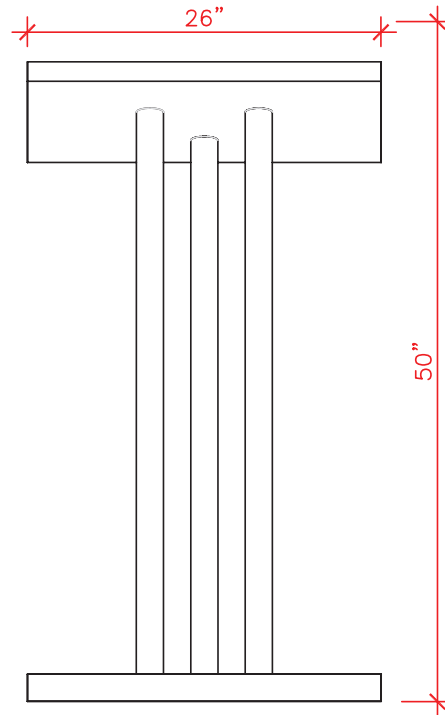


REAR VIEW

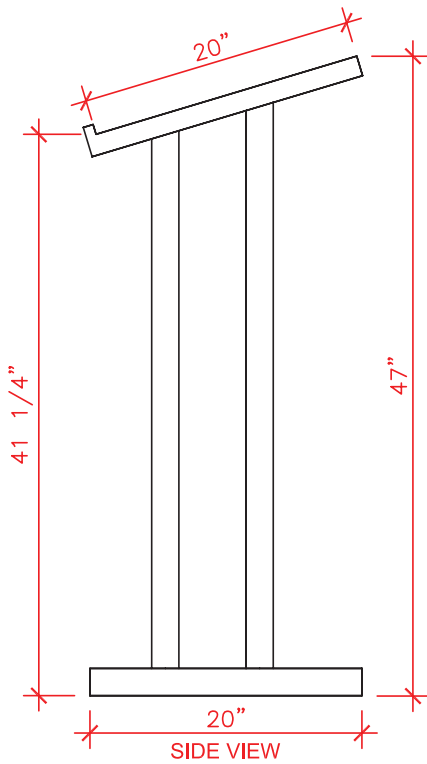
NOTICE: THE DATA IN THIS DOCUMENT INCORPORATES PROPRIETARY RIGHTS IF INPRODUCTION, INC. ANY PARTY ACCEPTING THIS DOCUMENT DOES SO IN CONFIDENCE AND AGREES IT SHALL NOT BE DUPLICATED IN WHOLE OR IN PART, NOR DISCLOSED TO OTHERS, WITHOUT THE CONSENT OF INPRODUCTION, INC.



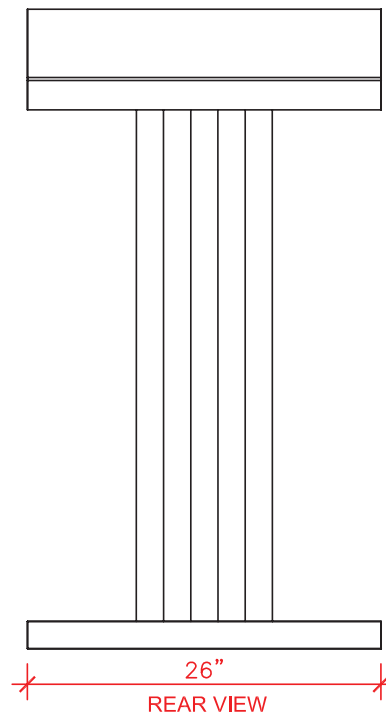
3D VIEW



FRONT VIEW

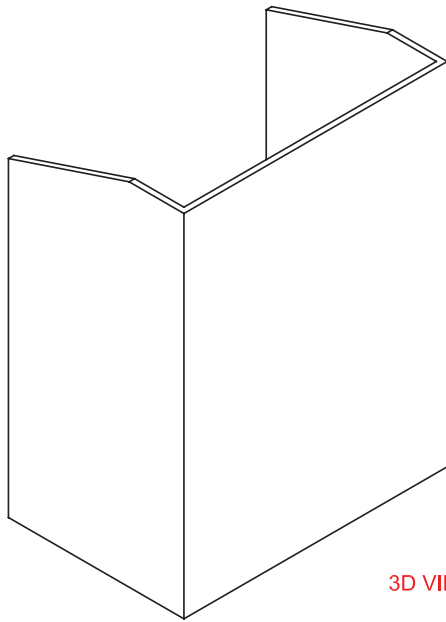


SIDE VIEW

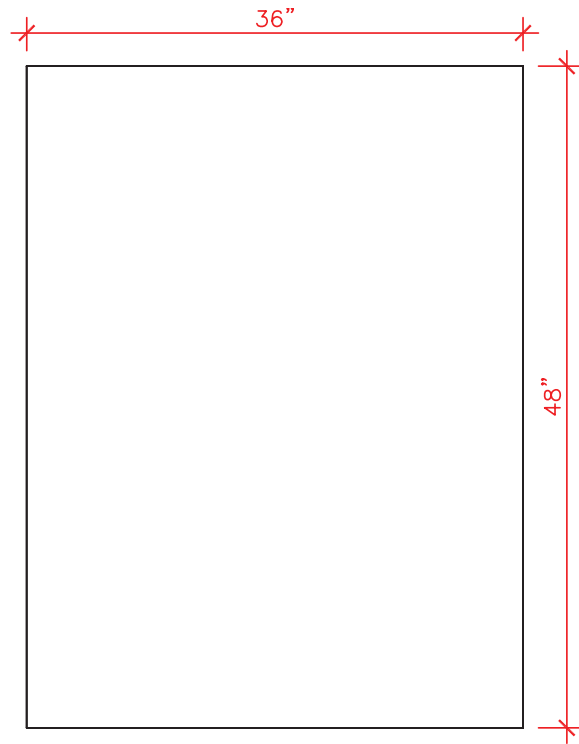


REAR VIEW

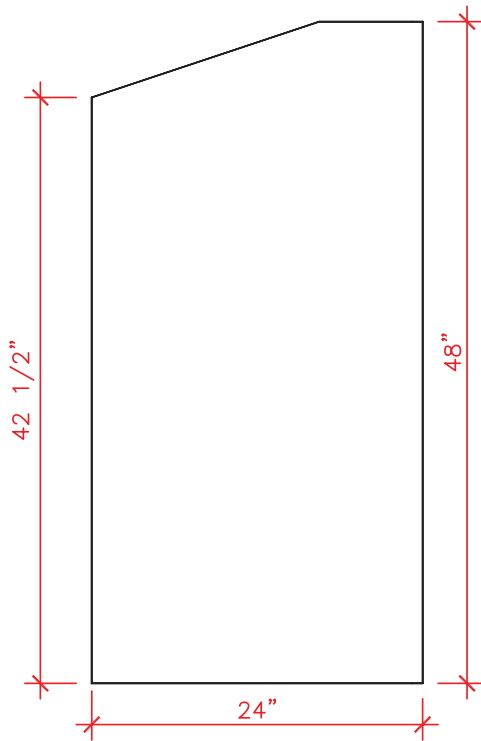
NOTICE: THE DATA IN THIS DOCUMENT INCORPORATES PROPRIETARY RIGHTS IF INPRODUCTION, INC. ANY PARTY ACCEPTING THIS DOCUMENT DOES SO IN CONFIDENCE AND AGREES IT SHALL NOT BE DUPLICATED IN WHOLE OR IN PART, NOR DISCLOSED TO OTHERS, WITHOUT THE CONSENT OF INPRODUCTION, INC.



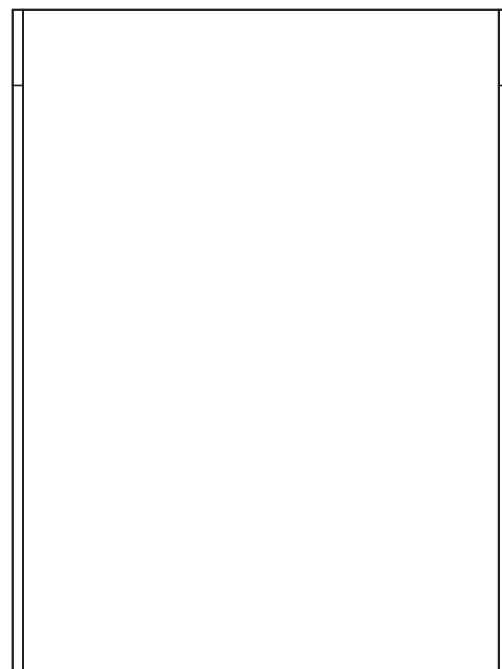
3D VIEW



FRONT VIEW

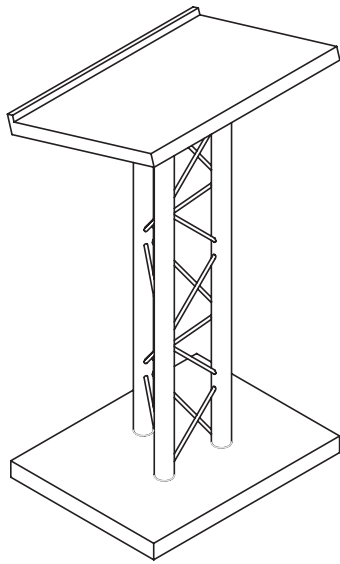


SIDE VIEW

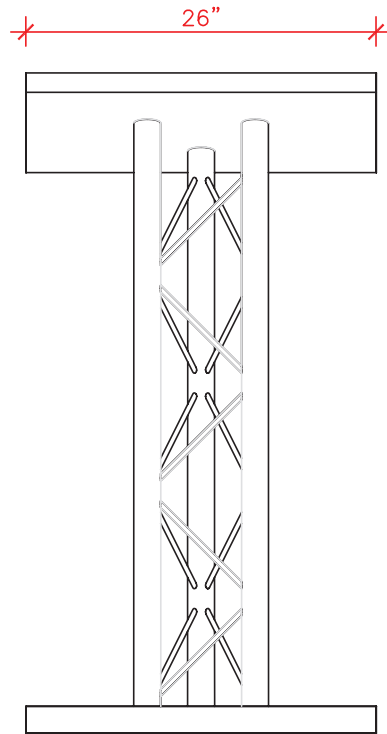


REAR VIEW

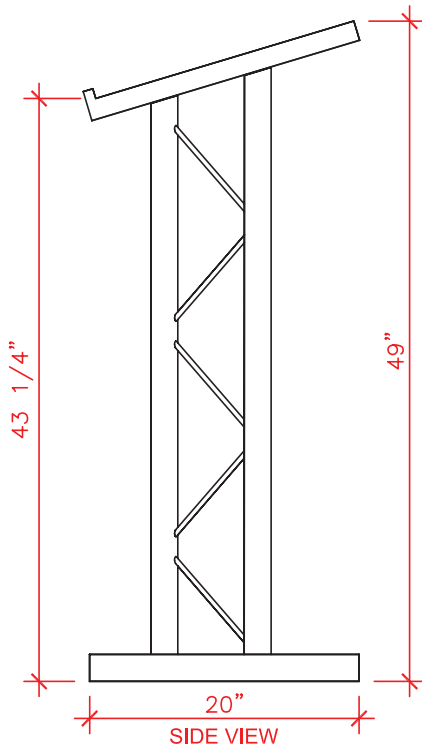
NOTICE: THE DATA IN THIS DOCUMENT INCORPORATES PROPRIETARY RIGHTS IF INPRODUCTION, INC. ANY PARTY ACCEPTING THIS DOCUMENT DOES SO IN CONFIDENCE AND AGREES IT SHALL NOT BE DUPLICATED IN WHOLE OR IN PART, NOR DISCLOSED TO OTHERS, WITHOUT THE CONSENT OF INPRODUCTION, INC.



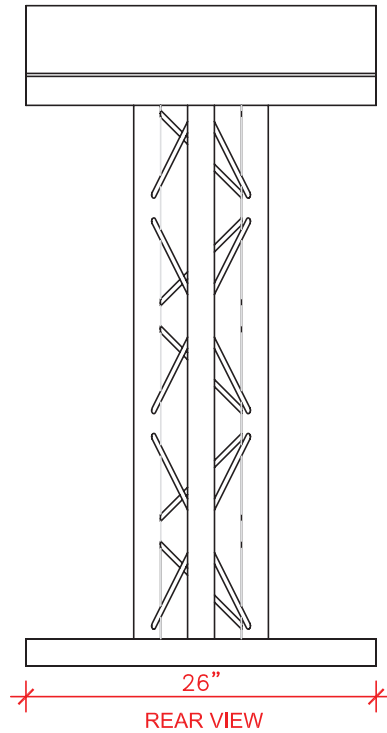
3D VIEW



FRONT VIEW

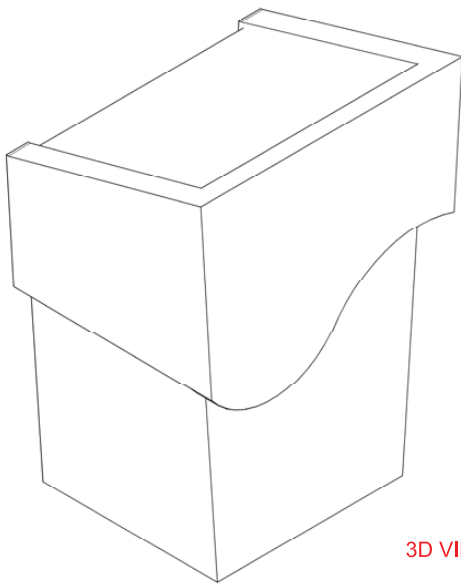


SIDE VIEW

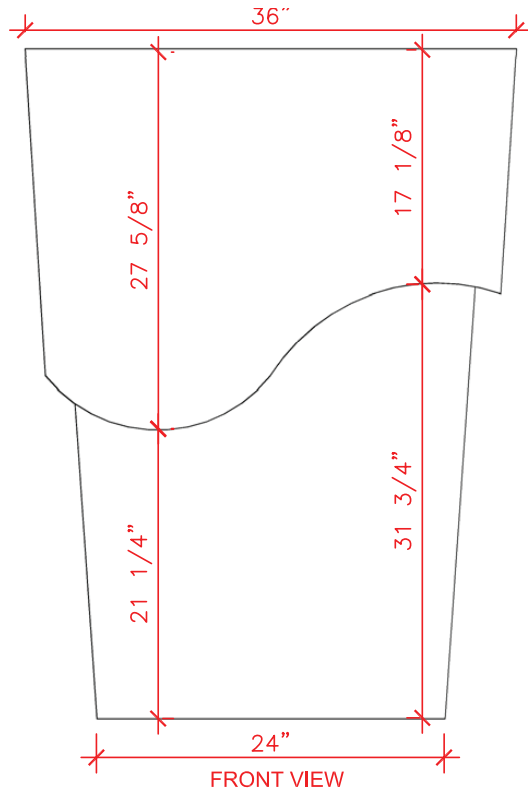


REAR VIEW

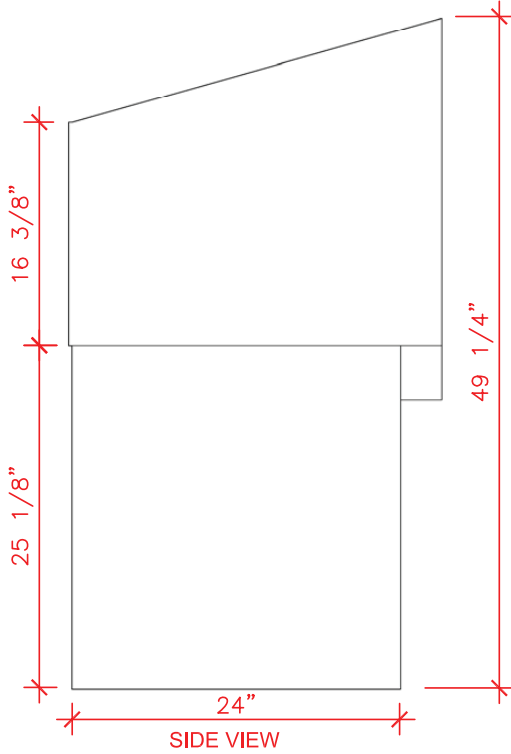
NOTICE: THE DATA IN THIS DOCUMENT INCORPORATES PROPRIETARY RIGHTS IF INPRODUCTION, INC. ANY PARTY ACCEPTING THIS DOCUMENT DOES SO IN CONFIDENCE AND AGREES IT SHALL NOT BE DUPLICATED IN WHOLE OR IN PART, NOR DISCLOSED TO OTHERS, WITHOUT THE CONSENT OF INPRODUCTION, INC.



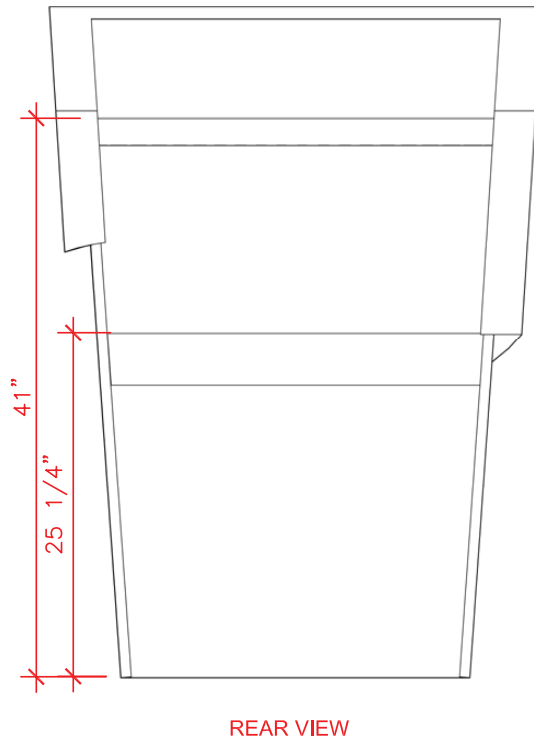
3D VIEW



FRONT VIEW

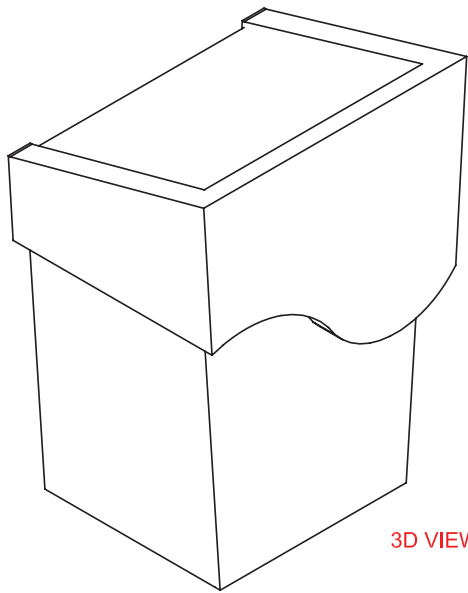


SIDE VIEW

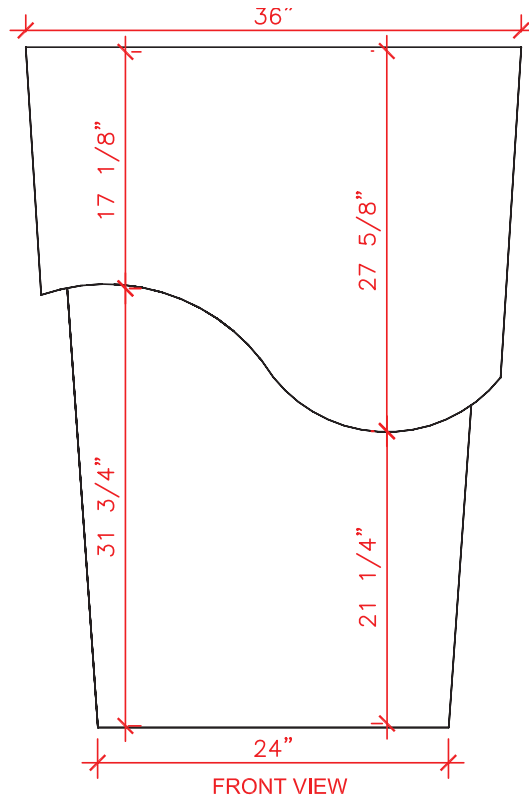


REAR VIEW

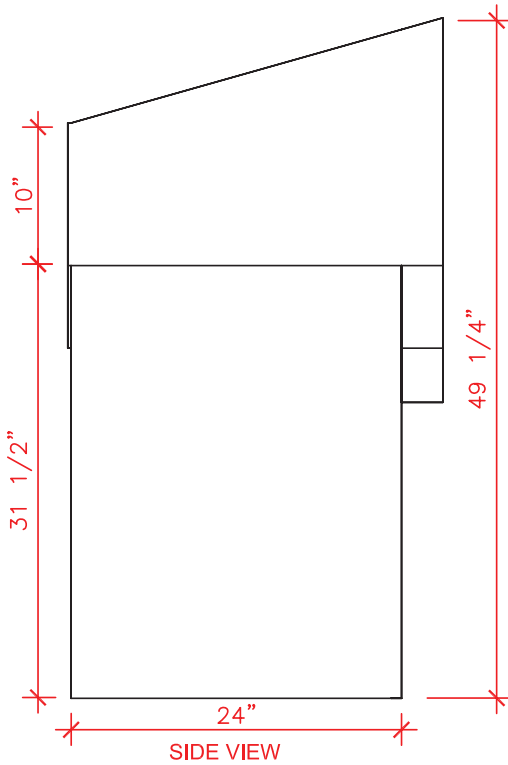
NOTICE: THE DATA IN THIS DOCUMENT INCORPORATES PROPRIETARY RIGHTS IF INPRODUCTION, INC. ANY PARTY ACCEPTING THIS DOCUMENT DOES SO IN CONFIDENCE AND AGREES IT SHALL NOT BE DUPLICATED IN WHOLE OR IN PART, NOR DISCLOSED TO OTHERS, WITHOUT THE CONSENT OF INPRODUCTION, INC.



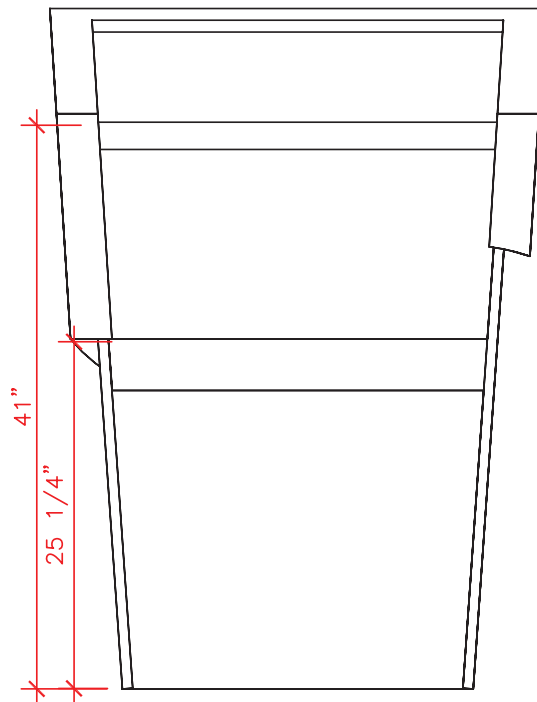
3D VIEW



FRONT VIEW



SIDE VIEW



REAR VIEW

NOTICE: THE DATA IN THIS DOCUMENT INCORPORATES PROPRIETARY RIGHTS IF INPRODUCTION, INC. ANY PARTY ACCEPTING THIS DOCUMENT DOES SO IN CONFIDENCE AND AGREES IT SHALL NOT BE DUPLICATED IN WHOLE OR IN PART, NOR DISCLOSED TO OTHERS, WITHOUT THE CONSENT OF INPRODUCTION, INC.