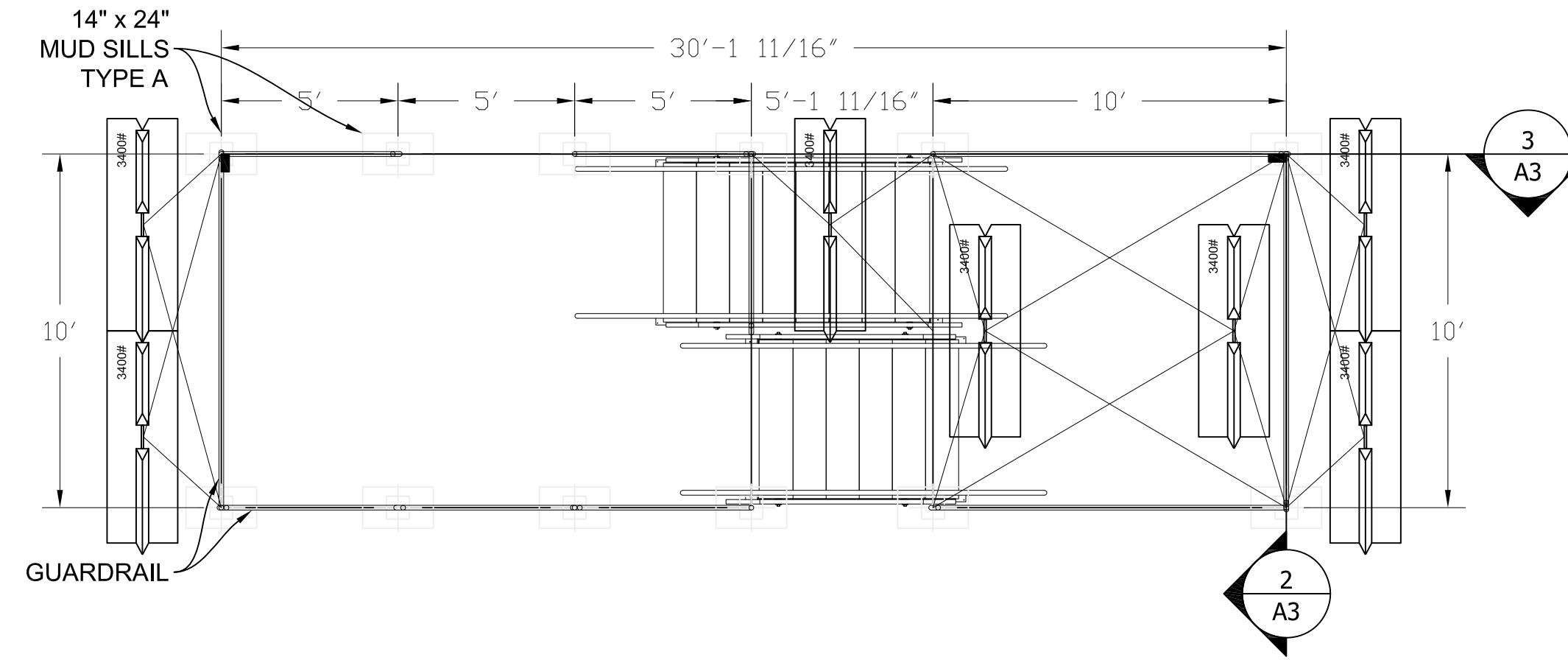
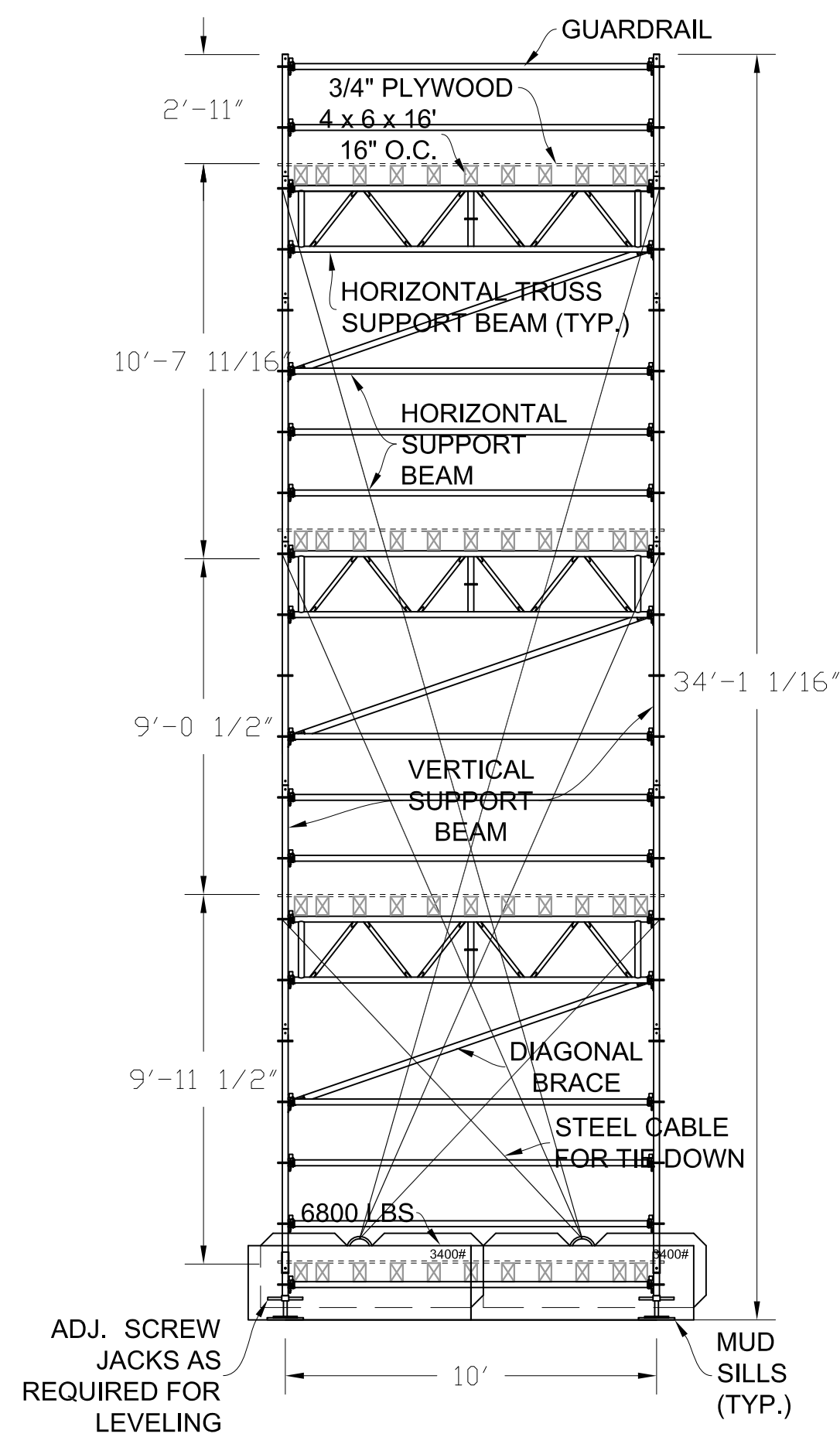


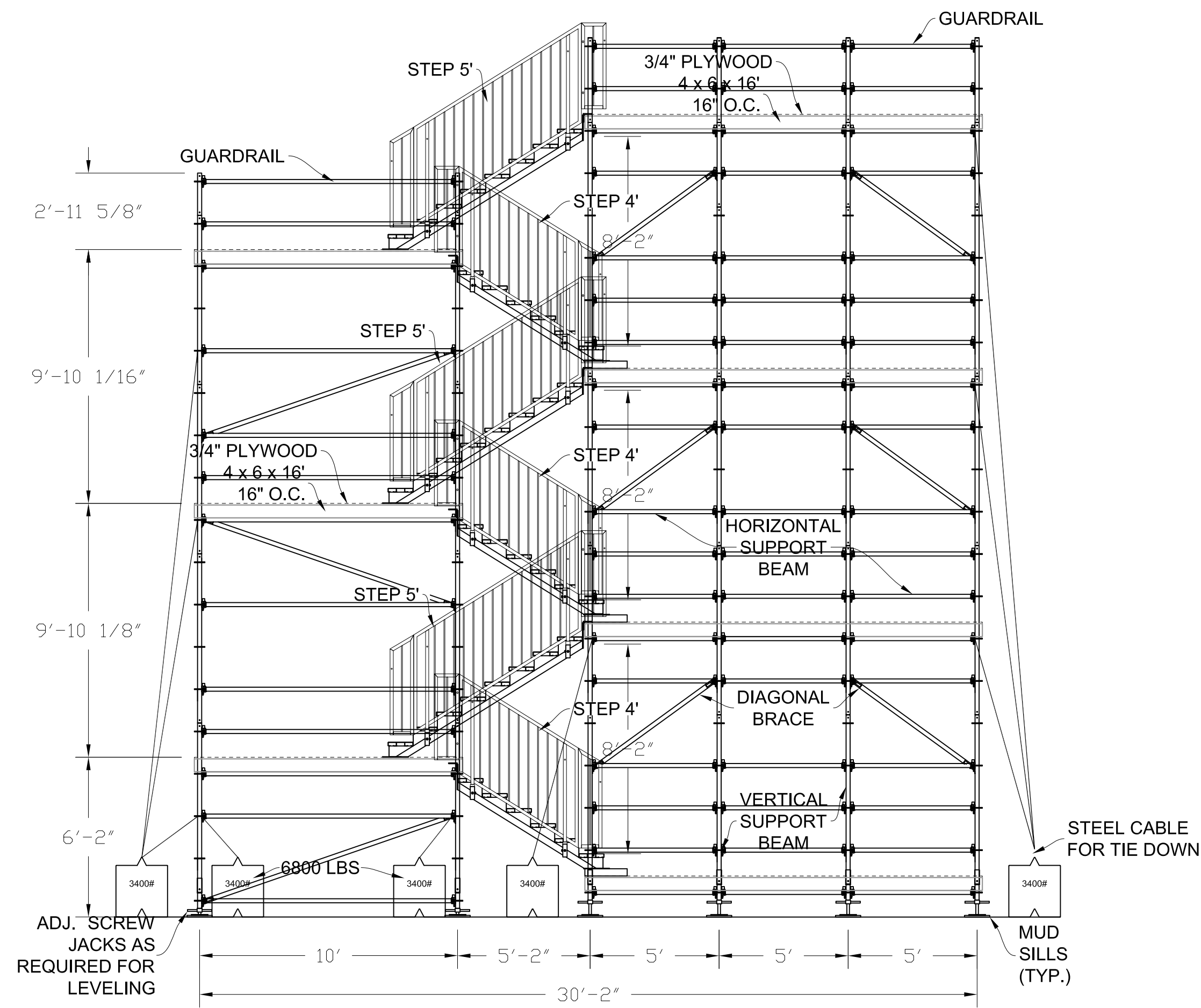
BIN BLOCK DETAIL



1 PLAN VIEW: 15' x 10' STAIR LANDINGS
 ELEVATED 26'-8"
 SCALE: 1/4" = 1'-0"
 ALL MUD SILLS ARE TYPE A U.O.N.



2 SIDE ELEVATION: 10' DEEP STAIR LANDINGS (TYPICAL)
 ELEVATED 26'-8"
 SCALE: 1/4" = 1'-0"



3 REAR ELEVATION: 15' x 10' STAIR LANDINGS (TYPICAL)
 ELEVATED 26'-8"
 SCALE: 1/4" = 1'-0"

PROJECT: MAZDA RACEWAY LAGUNA SECA- PODIUM
 ROLEX MONTEREY MOTORSPORT REUNION
 1021 MONTEREY-SALINAS HIGHWAY, SALINAS, CA 93908

SHEET TITLE: STAIR LANDINGS
 CONFIDENTIAL DOCUMENT
 NOT TO BE COPIED OR DISCLOSED WITHOUT WRITTEN PERMISSION FROM INPRODUCTION.

11065 LEADBETTER ROAD
 ASHLAND, VA. 23005
 (800) 999-5278
 www.InProduction.net

In Production

REPRESENTATIVE: JIM MCGLYNN
 PROJECT MGR: JARED WOLFE
 DRAWN BY: KARL ANDERSON
 JOB CODE: #####
 DATE: 09-28-19
 SIZE: D
 DRAWING NAME: MAZDA RACEWAY LAGUNA SECA-17 (STAIR).DWG

| REVISIONS | DATE | BY | ITEM |
|-----------|------|----|------|
| | | | |
| | | | |
| | | | |
| | | | |
| | | | |

SHEET: A1
A1
 REVISION: #

© COPYRIGHT 2019 - INPRODUCTION
 REPRODUCED IN WHOLE OR IN PART WITHOUT THE EXPRESSED WRITTEN PERMISSION FROM INPRODUCTION.